



WEICHAI
王明德 (wangmd)
2025/01/20 09:22:33

WEICHAI
王明德 (wangmd)
2025/01/20 09:22:33

DHP10Q1913

WP10系列柴油机零件图册

WP10 SERIES DIESEL PARTS CATALOGUE



WEICHAI
王明德 (wangmd)
2025/01/20 09:22:33

songpc@weichai.com

WEICHAI
王明德 (wangmd)
2025/01/20 09:22:33

WEICHAI
王明德 (wangmd)
2025/01/20 09:22:33

WEICHAI
王明德 (wangmd)
2025/01/20 09:22:33

WEICHAI
王明德 (wangmd)
2025/01/20 09:22:33

潍柴动力股份有限公司
WEICHAI POWER CO., LTD.

WEICHAI
王明德 (wangmd)
2025/01/20 09:22:33

前 言

为使WP10系列发动机在使用、维护等工作上的方便，特汇编本图册，以供我方与用户在使用中查阅参考。

该图册基本上按组绘出了各个零件的装配关系。图序号、件号、数量、中文名称、英文名称等列于明细表栏内。图册包含发动机详细的装机明细，其中部分零件为不可销售配件，如欲了解配件销售事宜可咨询潍柴动力股份有限公司。

随着技术和生产的不断发展，发动机的变型将增多，故本图册的内容将有所更新。变化不再另行通知，特请用户注意。本产品的售后服务统一授权潍柴动力股份有限公司执行，用户可通过www.weichai.com网站访问获取相关产品信息。

FOREWORD

This illustrated parts manual is specially prepared for customers to facilitate the use of WP10 series engine in operation and maintenance.

The illustrations are grouped under the heading of each assembly and numbered individually. Part.

No., Quantity, Model, English designation, Chinese designation and so on are written in the parts list. The parts catalogue include detailed assembling parts list of engine, some parts can not be sold, if you want to know selling part matters, please ask Weichai Power Co., Ltd.

With the development of technology and production, the versions of the engine will be increased, so the catalogue will be revised. Please pay attention to our revised edition. After service of this product is authorized to Weichai Power Co., Ltd, Consumers can acquire information of this product through www.weichai.com.

目 录 CONTENTS

机体结合组(Engine Block Group)	1
机体总成(Crankcase Assembly)	5
机体预装配(Crankcase Pre-assembly)	7
飞轮壳结合组(Flywheel Housing Group)	9
正时齿轮室结合组(Timing Gear Housing Group)	11
前端盖结合组(Front End Cover Group)	13
曲轴结合组(Crankshaft Group)	15
曲轴总成(Crankshaft Assembly)	17
曲轴分总成(Crankshaft Subassembly)	19
飞轮结合组(Flywheel Group)	21
活塞连杆结合组(Piston and Connecting Rod Group)	23
连杆总成(Connecting Rod Assembly)	25
活塞环组件(Piston Ring Set)	27
气缸盖结合组(Cylinder Head Group)	29
气缸盖总成(Cylinder Head Assembly)	31
气缸盖分总成(Cylinder Head Subassembly)	33
气缸盖罩结合组(Cylinder Head Cover Group)	35
油气分离器结合组(Oil-gas Separator Group)	37
油气分离器(Oil-gas Separator)	39
配气机构结合组(Valve Train Group)	41
进气摇臂总成(Intake Rocker Arm Assembly)	45
制动摇臂总成(Brake Rocker Arm Assembly)	47
EVB支架总成(EVB Bracket Assembly)	49
凸轮轴总成(Camshaft Assembly)	51
中间齿轮总成(Idler Gear Assembly)	53
曲轴皮带轮结合组(Crankshaft Pulley Group)	55
油底壳结合组(Oil Pan Group)	57
油底壳总成(Oil Pan Assembly)	59
油尺结合组(Combination unit of oil dipstick)	61
油标尺总成(Dipstick Assembly)	63
机油泵结合组(Oil Pump Group)	65

机油泵中间齿轮组件(Oil Pump Idle Gear Set)	67
机油集滤器结合组(Oil Strainer Group)	69
机油冷却器结合组(Oil Cooler Group).....	71
机油滤清器结合组(Oil Filter Group).....	73
机油滤清器(Oil Filter)	75
加机油管结合组(Oil Filling Pipe Group).....	77
水泵结合组(Water Pump Group).....	79
水管接头结合组(Water Pipe Joint Group)	81
出水管结合组(Water Outlet Pipe Group)	83
节温器结合组(Thermostat Group).....	85
中冷器结合组(Intercooler Group)	87
风扇及轮毂结合组(Fan and Hub Group)	89
风扇离合器总成(Fan Clutch Assembly)	91
喷油泵结合组(Fuel Injection Pump Group)	93
喷油器结合组(Fuel Injector Group).....	95
低压油管结合组(Low Pressure Fuel Pipe Group).....	97
燃油滤清器结合组(Fuel Filter Group).....	99
燃油滤清器(Fuel Filter)	101
高压油管结合组(High Pressure Fuel Pipe Group)	103
高压油管总成(High-pressure Fuel Pipe Assembly).....	105
进气管结合组(Intake Manifold Group).....	107
进气管总成(Intake Manifold Assembly)	109
增压器结合组(Turbocharger Group).....	111
增压器润滑油管结合组(Turbocharger Oil Pipe Group)	113
排气管结合组(Exhaust Manifold Group)	115
停车装置结合组(Shut-down Device Group)	117
空压机结合组(Air Compressor Group)	119
空压机总成(Air Compressor Assembly)	121
液压泵结合组(Hydraulic Pump Group).....	123
张紧轮及皮带结合组(Tensioner And Belt Group)	125

起动机结合组(Starter Motor Group)..... 127

零件箱结合组(Parts Kit Group)..... 129

 燃油滤清器(Fuel Filter) 131

 接插件(Connector) 133

 接插件(Connector) 135

电控系统线束结合组(Electronic Control System Harness Group)..... 137

发电机结合组(Alternator Group)..... 139

发电机支架结合组(Alternator Bracket Group) 141

WEICHAI
王明德(wangmd)
2025/01/20 09:22:33

songpc@weichai.com

WEICHAI
王明德(wangmd)
2025/01/20 09:22:33

WEICHAI
王明德(wangmd)
2025/01/20 09:22:33

WEICHAI
王明德(wangmd)
2025/01/20 09:22:33

WEICHAI
王明德(wangmd)
2025/01/20 09:22:33

WEICHAI
王明德(wangmd)
2025/01/20 09:22:33

WEICHAI

王明德(wangmd)
2025/01/20 09:22:33

WEICHAI

王明德(wangmd)
2025/01/20 09:22:33

WEICHAI

王明德(wangmd)
2025/01/20 09:22:33

WEICHAI

王明德(wangmd)
2025/01/20 09:22:33

songpc@weichai.com

WEICHAI

王明德(wangmd)
2025/01/20 09:22:33

WEICHAI

王明德(wangmd)
2025/01/20 09:22:33

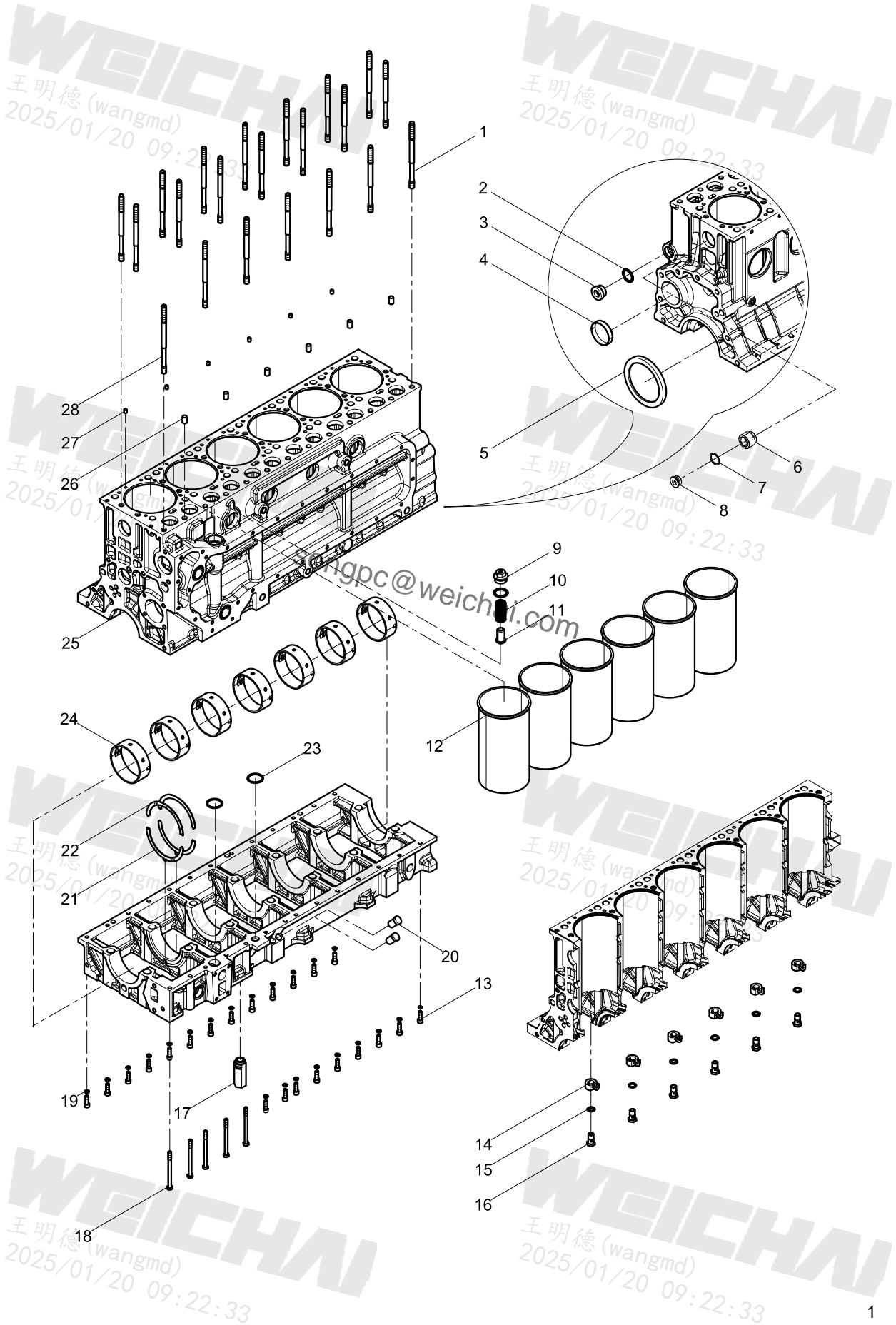
WEICHAI

王明德(wangmd)
2025/01/20 09:22:33

WEICHAI

王明德(wangmd)
2025/01/20 09:22:33

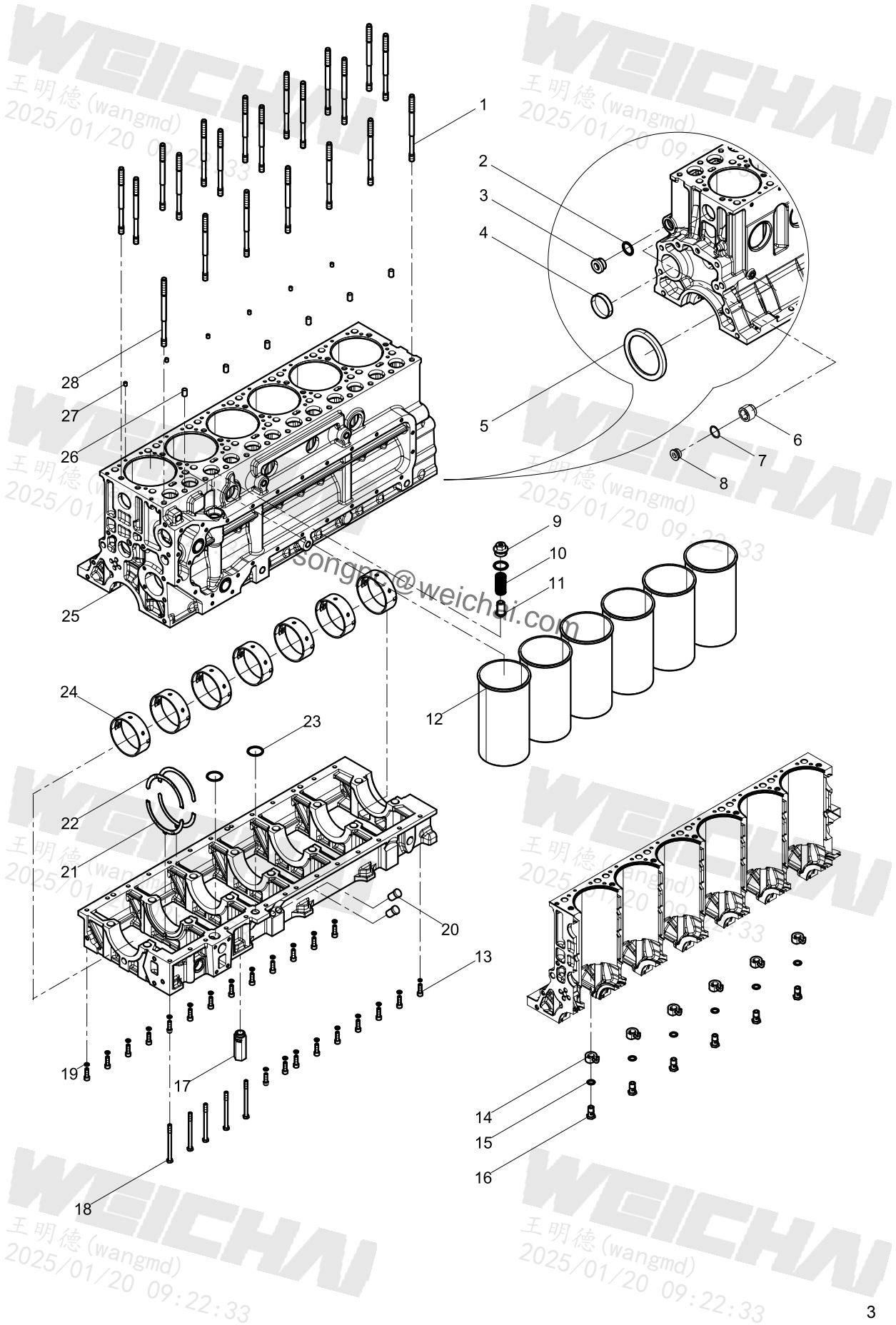
机体结合组(Engine Block Group)



机体结合组(Engine Block Group)

图序号 Pos.	件号 Part Number	数量 Qty.	中文名称	Part Name
1	61500010185S	18	气缸盖螺栓	Cylinder Head Bolt
2	612600010735	2	垫圈	Washer
3	90003962051S	1	六角头螺塞	Hexagon Screw Plug
4	90003989288	1	碗形塞	Bowl Plug
5	61500010100	1	后油封	Rear Oil Seal
6	1001046546	1	管接头	Pipe Joint
7	612600150106	1	垫圈	Washer
8	9000000483	1	内六角螺塞	Inner Hexagon Screw Plug
9	612600070160S	1	六角头螺塞	Hexagon Screw Plug
10	614070068	1	机油泵安全阀弹簧	Oil Pump Safety Valve Spring
11	614070069	1	机油安全阀	Oil Pressure Relief Valve
12	612630010015	6	气缸套	Cylinder Liner
13	90003862428	22	内六角圆柱头螺钉	Inner Hexagon Socket Head Cap Screw
14	612600010659	6	活塞喷嘴总成	Piston Nozzle Assembly
15	90003098015	6	密封垫圈	Sealing Washer
16	90003962621	6	铰接螺栓	Gemel Bolt
17	AZ1500070097	1	主油道限压阀	Pressure-limiting valve of the main oil passage
18	90003802493	5	六角头螺栓	Hexagon Head Bolt
19	188250083	22	垫圈	Washer
20	612600010538A	2	油尺管头	Dipstick Pipe Connector
21	612600013918	2	下止推片	Lower Thrust Plate
22	612600013917	2	上止推片	Upper Thrust Plate
23	81400010032	2	密封圈	Seal Ring
24	81500010046	7	主轴瓦组件	Main Bearing Set
25	1001163202	1	机体总成	Crankcase Assembly
26	90003901604	6	圆柱销	Parallel Pin
27	90003909626	6	弹性圆柱销	Spring-Type Straight Pin

机体结合组(Engine Block Group)



机体总成(Crankcase Assembly)

WEICHAI
王明德(wangmd)
2025/01/20 09:22:33

WEICHAI
王明德(wangmd)
2025/01/20 09:22:33

WEICHAI
王明德(wangmd)
2025/01/20 09:22:33

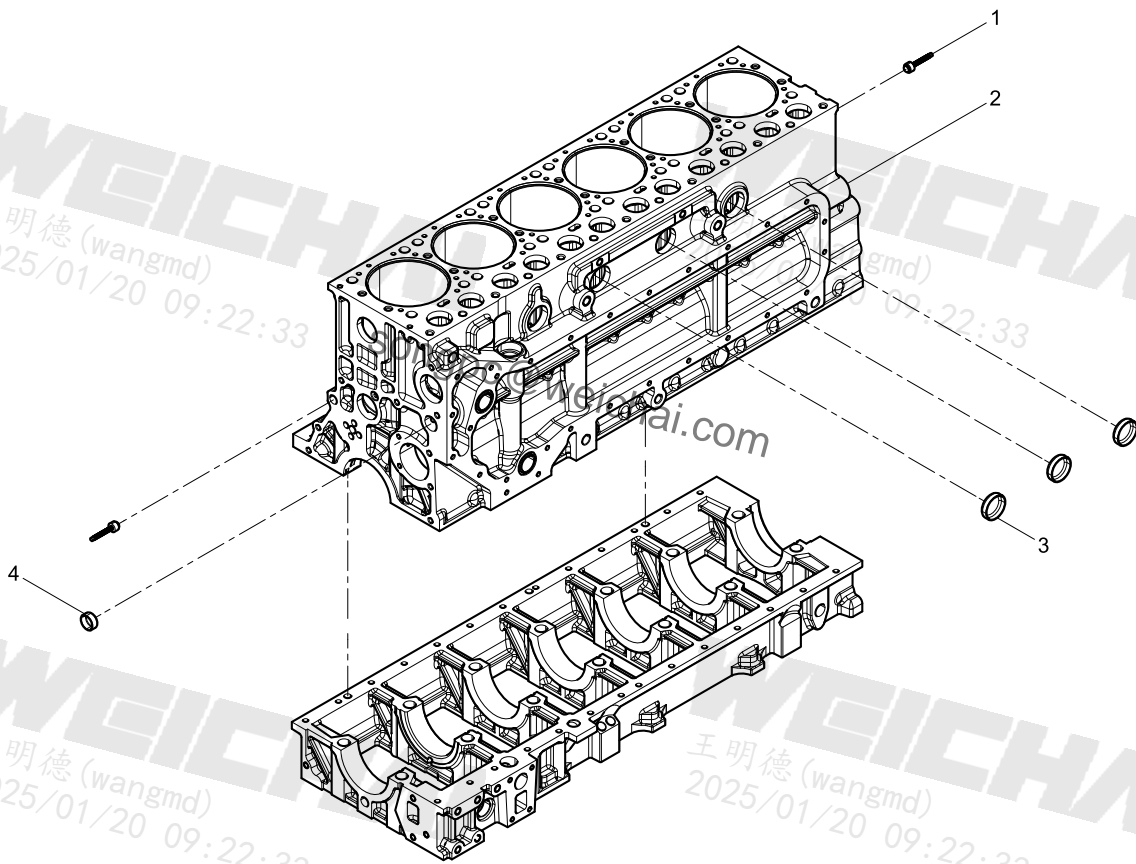
WEICHAI
王明德(wangmd)
2025/01/20 09:22:33

WEICHAI
王明德(wangmd)
2025/01/20 09:22:33

WEICHAI
王明德(wangmd)
2025/01/20 09:22:33

WEICHAI
王明德(wangmd)
2025/01/20 09:22:33

WEICHAI
王明德(wangmd)
2025/01/20 09:22:33



机体预装配(Crankcase Pre-assembly)

WEICHAI
王明德(wangmd)
2025/01/20 09:22:33

WEICHAI
王明德(wangmd)
2025/01/20 09:22:33

WEICHAI
王明德(wangmd)
2025/01/20 09:22:33

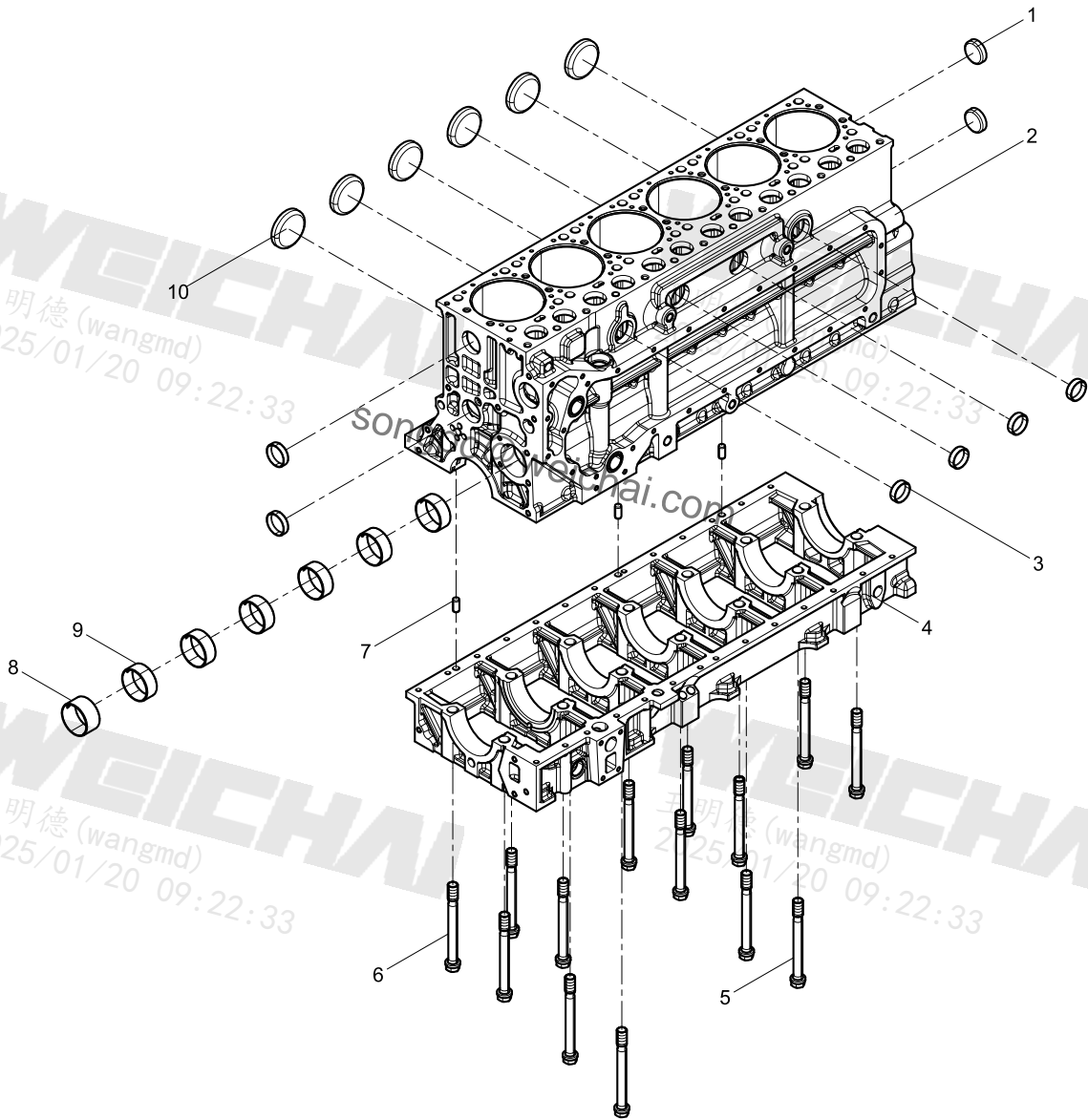
WEICHAI
王明德(wangmd)
2025/01/20 09:22:33

WEICHAI
王明德(wangmd)
2025/01/20 09:22:33

WEICHAI
王明德(wangmd)
2025/01/20 09:22:33

WEICHAI
王明德(wangmd)
2025/01/20 09:22:33

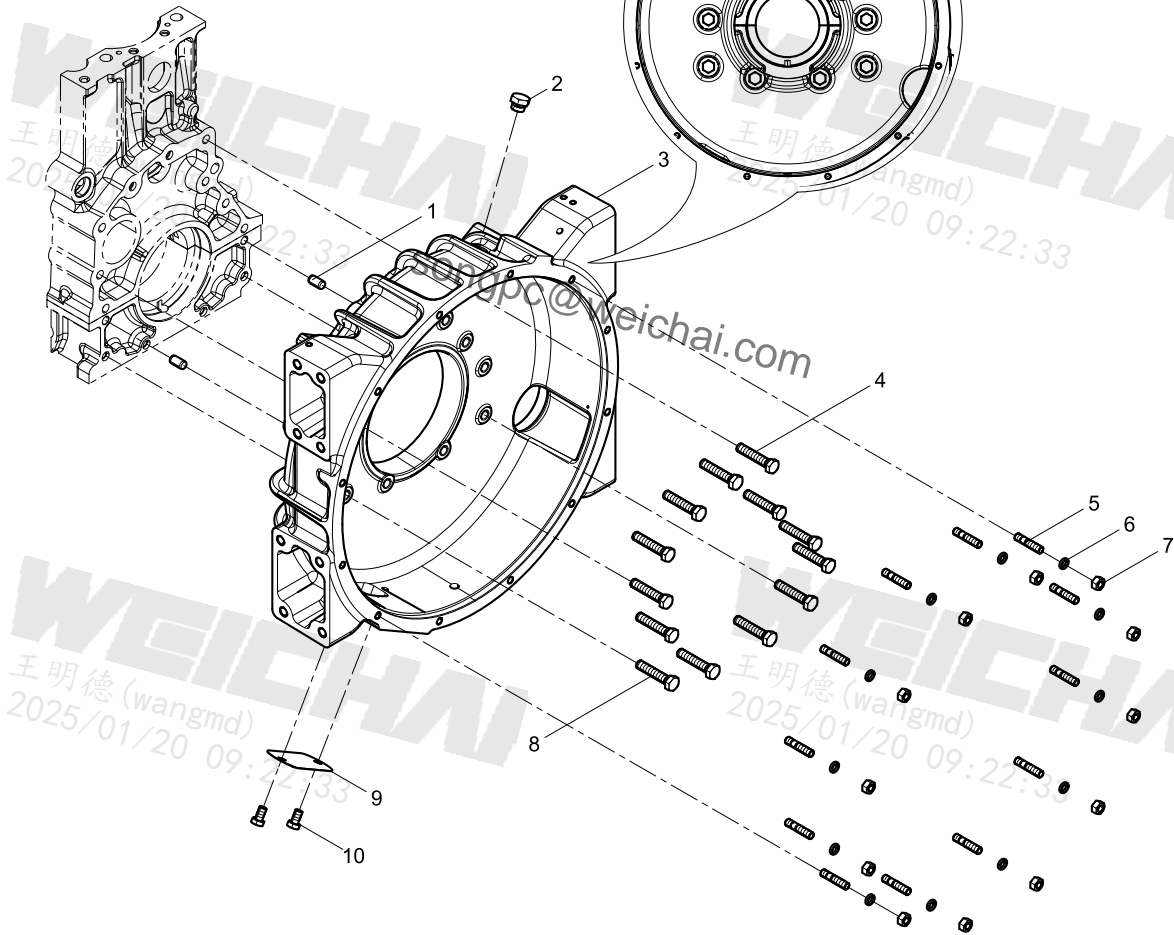
WEICHAI
王明德(wangmd)
2025/01/20 09:22:33



飞轮壳结合组(Flywheel Housing Group)

WEICHAI
王明德(wangmd)
2025/01/20 09:22:33

WEICHAI
王明德(wangmd)
2025/01/20 09:22:33



WEICHAI
王明德(wangmd)
2025/01/20 09:22:33

WEICHAI
王明德(wangmd)
2025/01/20 09:22:33

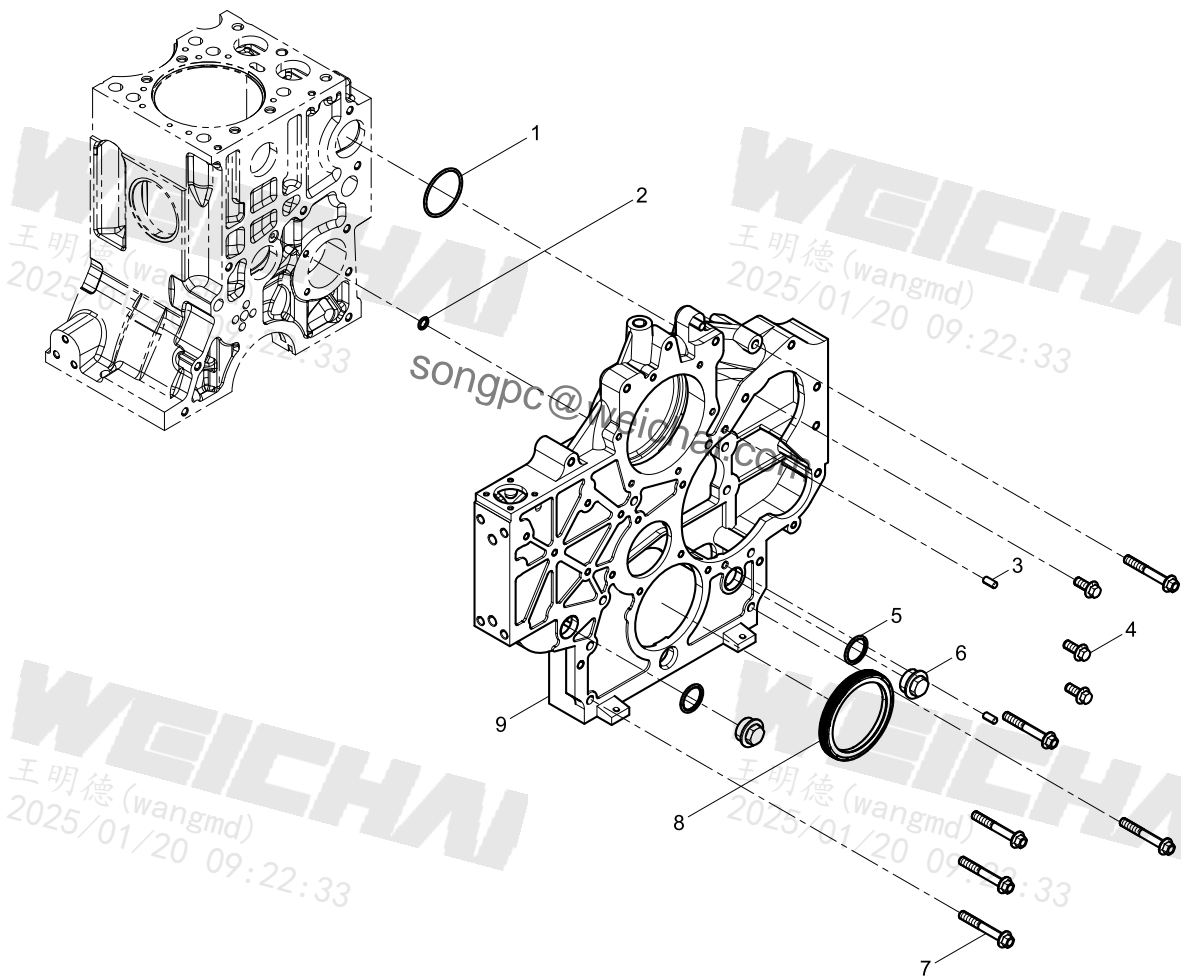
WEICHAI
王明德(wangmd)
2025/01/20 09:22:33

WEICHAI
王明德(wangmd)
2025/01/20 09:22:33

正时齿轮室结合组(Timing Gear Housing Group)

WEICHAI
王明德(wangmd)
2025/01/20 09:22:33

WEICHAI
王明德(wangmd)
2025/01/20 09:22:33



WEICHAI
王明德(wangmd)
2025/01/20 09:22:33

WEICHAI
王明德(wangmd)
2025/01/20 09:22:33

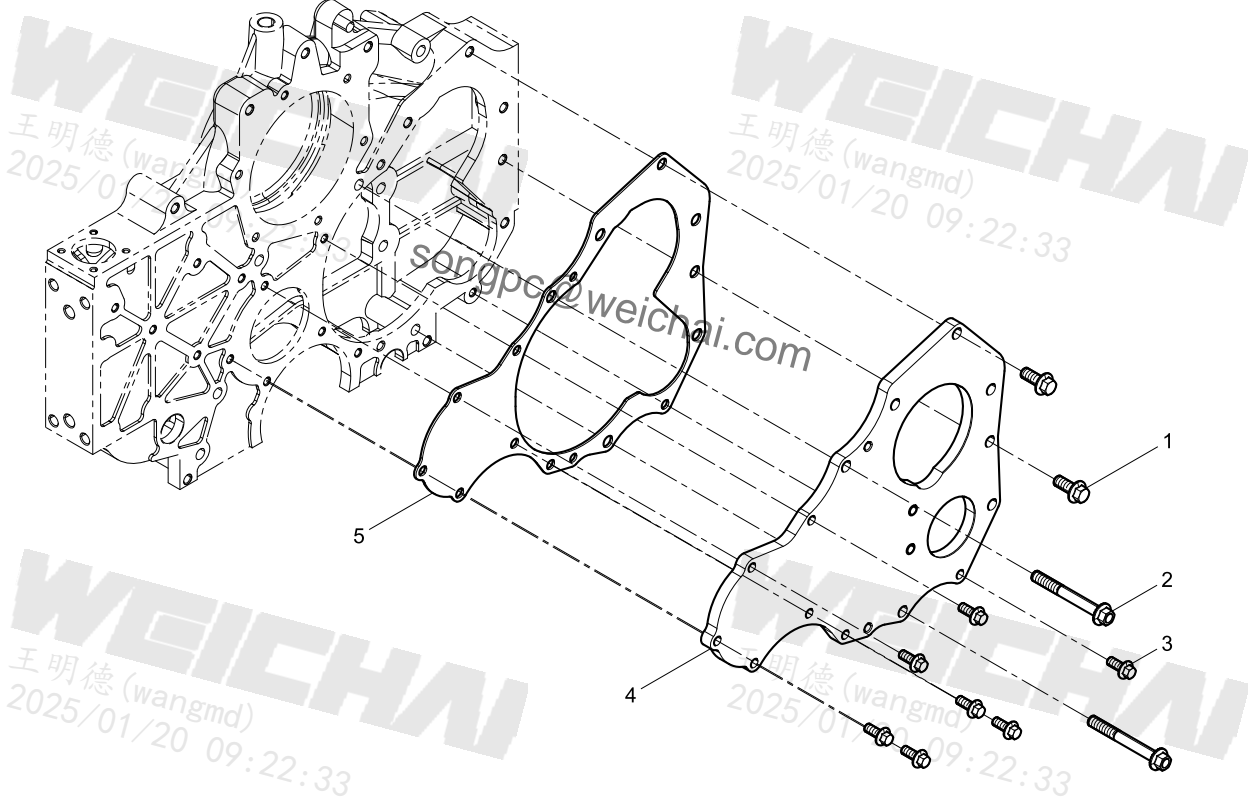
WEICHAI
王明德(wangmd)
2025/01/20 09:22:33

WEICHAI
王明德(wangmd)
2025/01/20 09:22:33

前端盖结合组(Front End Cover Group)

WEICHAI
王明德(wangmd)
2025/01/20 09:22:33

WEICHAI
王明德(wangmd)
2025/01/20 09:22:33



WEICHAI
王明德(wangmd)
2025/01/20 09:22:33

WEICHAI
王明德(wangmd)
2025/01/20 09:22:33

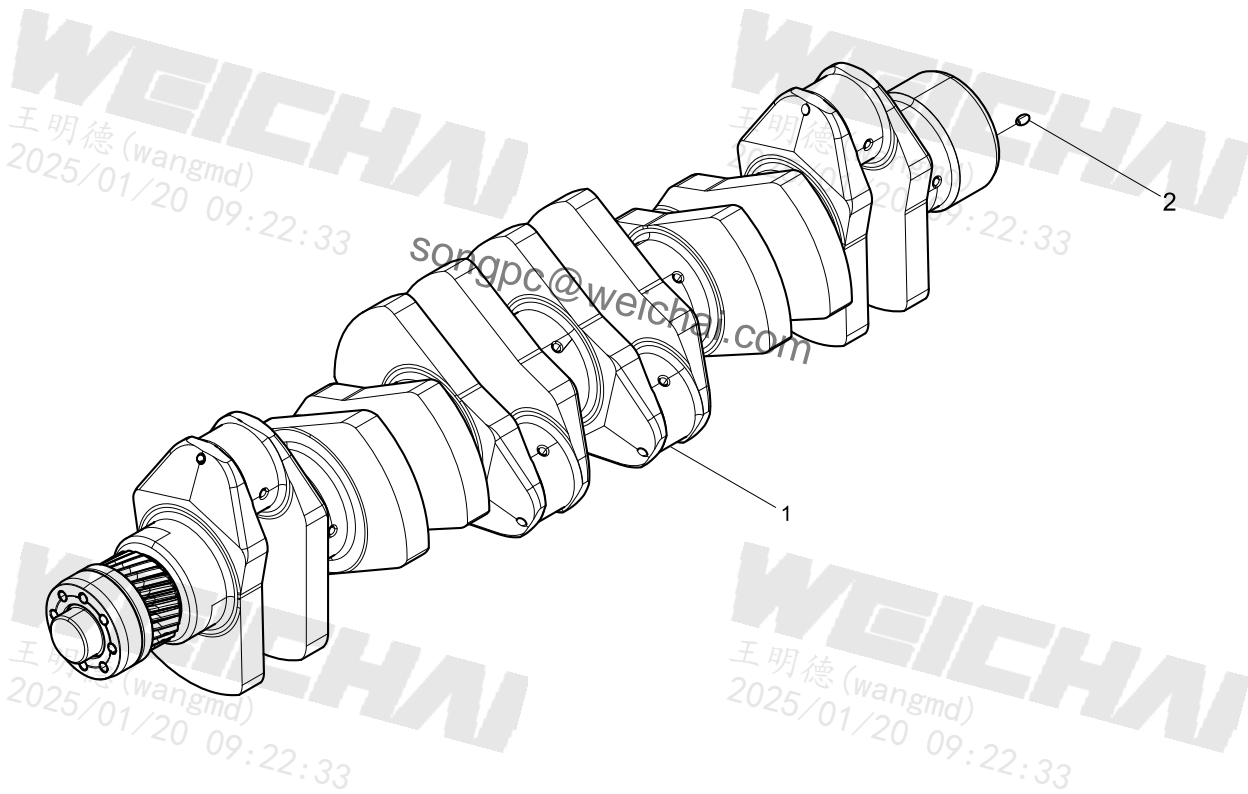
WEICHAI
王明德(wangmd)
2025/01/20 09:22:33

WEICHAI
王明德(wangmd)
2025/01/20 09:22:33

曲轴结合组(Crankshaft Group)

WEICHAI
王明德(wangmd)
2025/01/20 09:22:33

WEICHAI
王明德(wangmd)
2025/01/20 09:22:33



WEICHAI
王明德(wangmd)
2025/01/20 09:22:33

WEICHAI
王明德(wangmd)
2025/01/20 09:22:33

曲轴总成(Crankshaft Assembly)

WEICHAI
王明德(wangmd)
2025/01/20 09:22:33

WEICHAI
王明德(wangmd)
2025/01/20 09:22:33

WEICHAI
王明德(wangmd)
2025/01/20 09:22:33

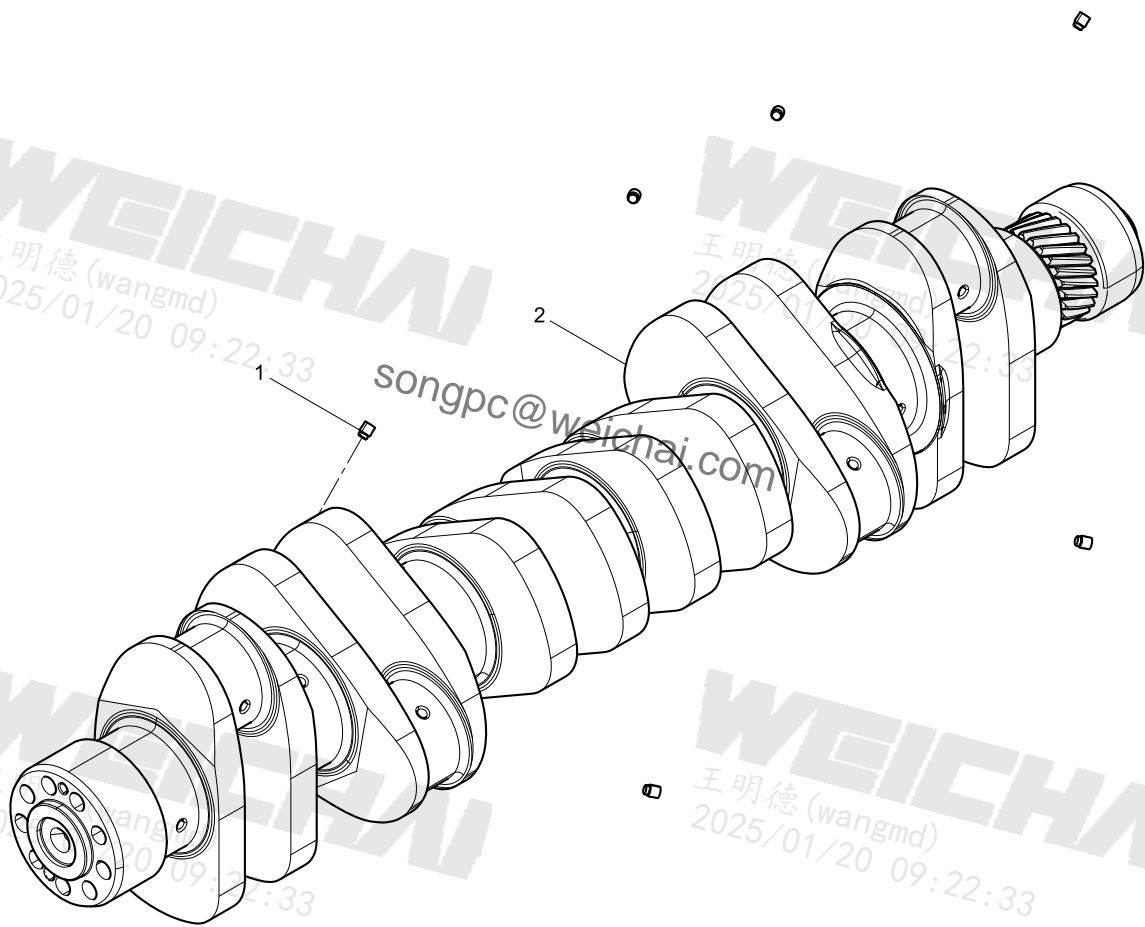
WEICHAI
王明德(wangmd)
2025/01/20 09:22:33

WEICHAI
王明德(wangmd)
2025/01/20 09:22:33

WEICHAI
王明德(wangmd)
2025/01/20 09:22:33

WEICHAI
王明德(wangmd)
2025/01/20 09:22:33

WEICHAI
王明德(wangmd)
2025/01/20 09:22:33



曲轴分总成(Crankshaft Subassembly)

WEICHAI
王明德(wangmd)
2025/01/20 09:22:33

WEICHAI
王明德(wangmd)
2025/01/20 09:22:33

WEICHAI
王明德(wangmd)
2025/01/20 09:22:33

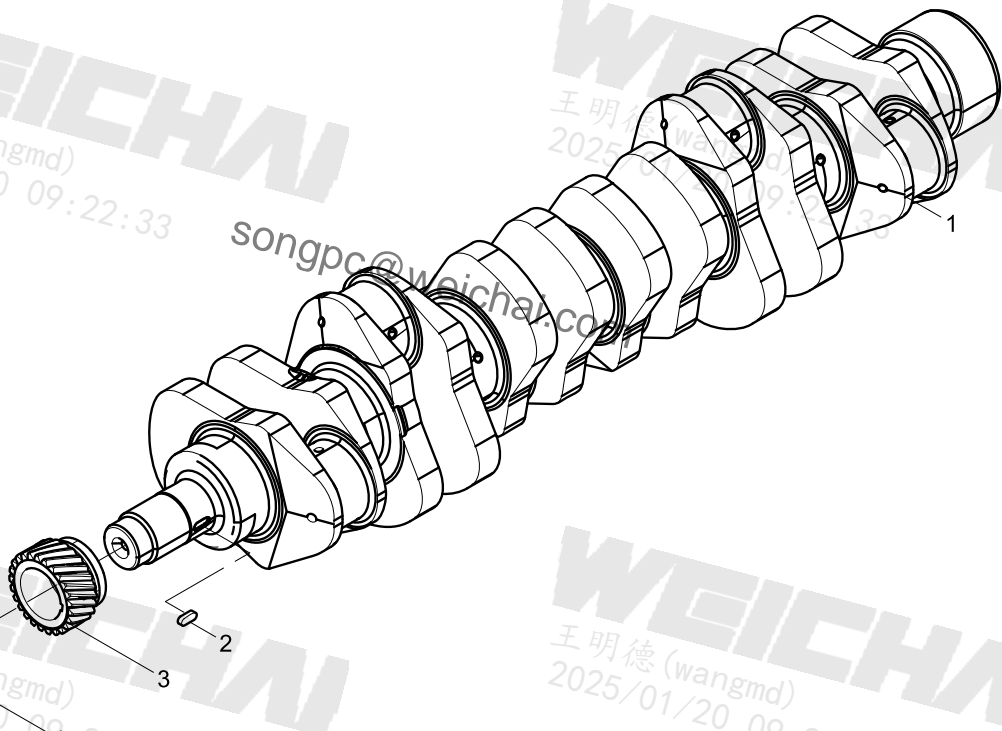
WEICHAI
王明德(wangmd)
2025/01/20 09:22:33

WEICHAI
王明德(wangmd)
2025/01/20 09:22:33

WEICHAI
王明德(wangmd)
2025/01/20 09:22:33

WEICHAI
王明德(wangmd)
2025/01/20 09:22:33

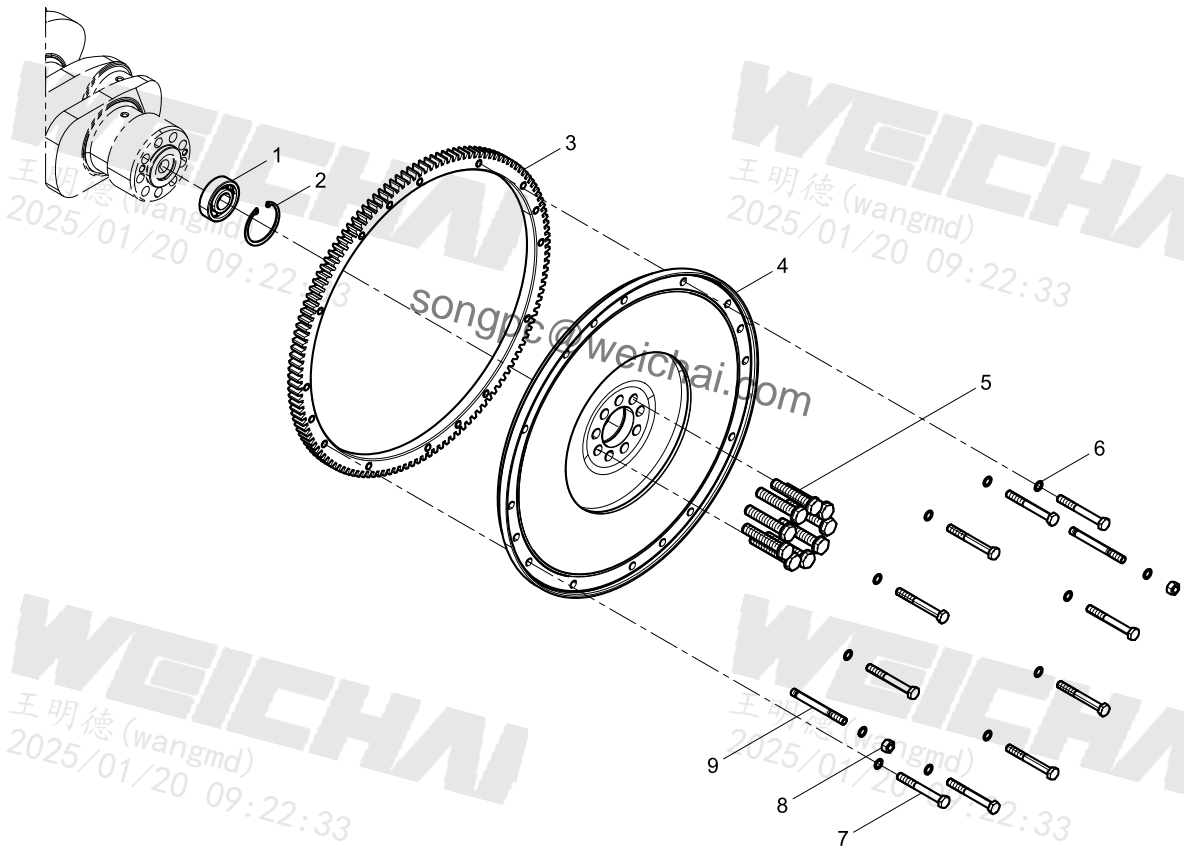
WEICHAI
王明德(wangmd)
2025/01/20 09:22:33



飞轮结合组(Flywheel Group)

WEICHAI
王明德(wangmd)
2025/01/20 09:22:33

WEICHAI
王明德(wangmd)
2025/01/20 09:22:33



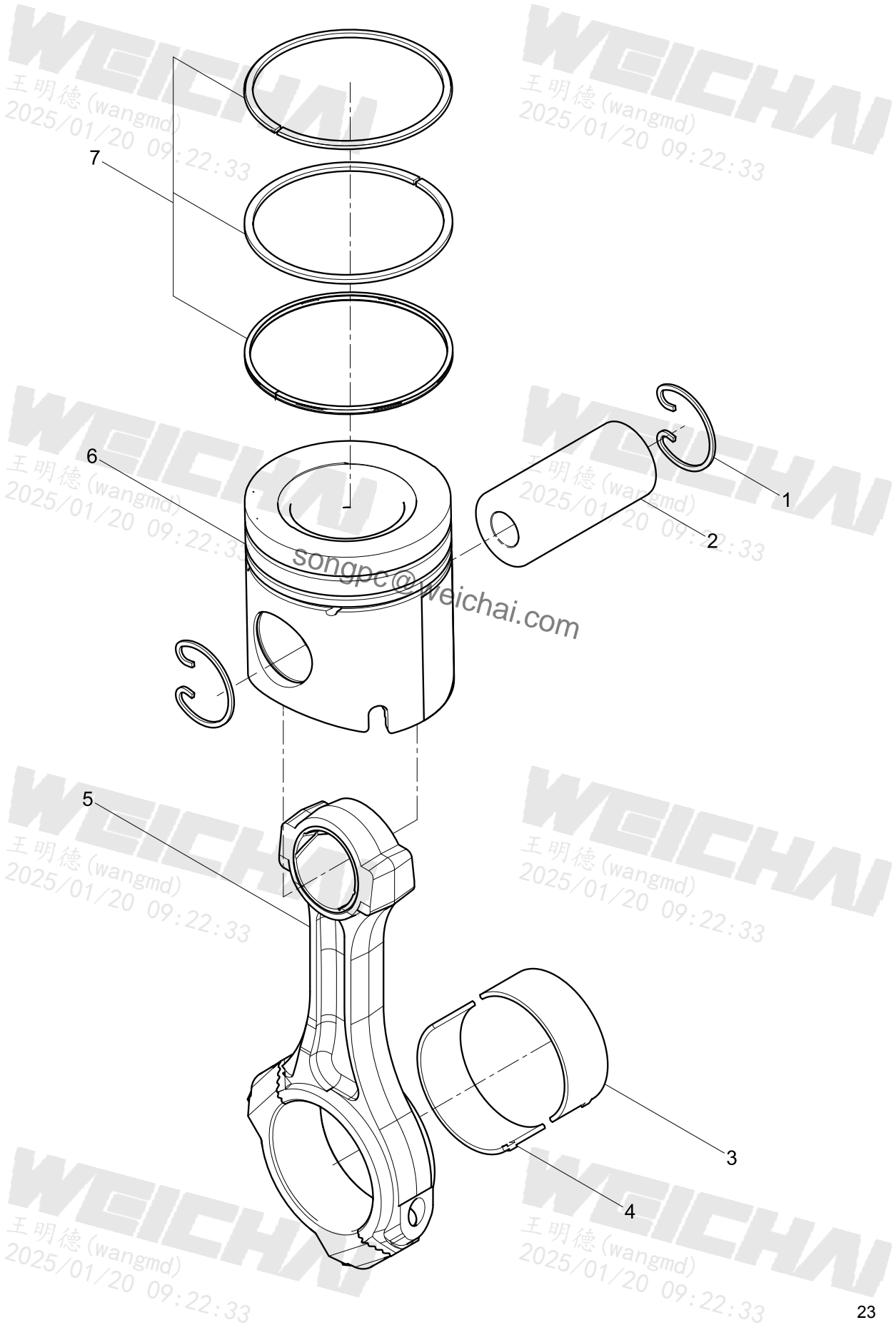
WEICHAI
王明德(wangmd)
2025/01/20 09:22:33

WEICHAI
王明德(wangmd)
2025/01/20 09:22:33

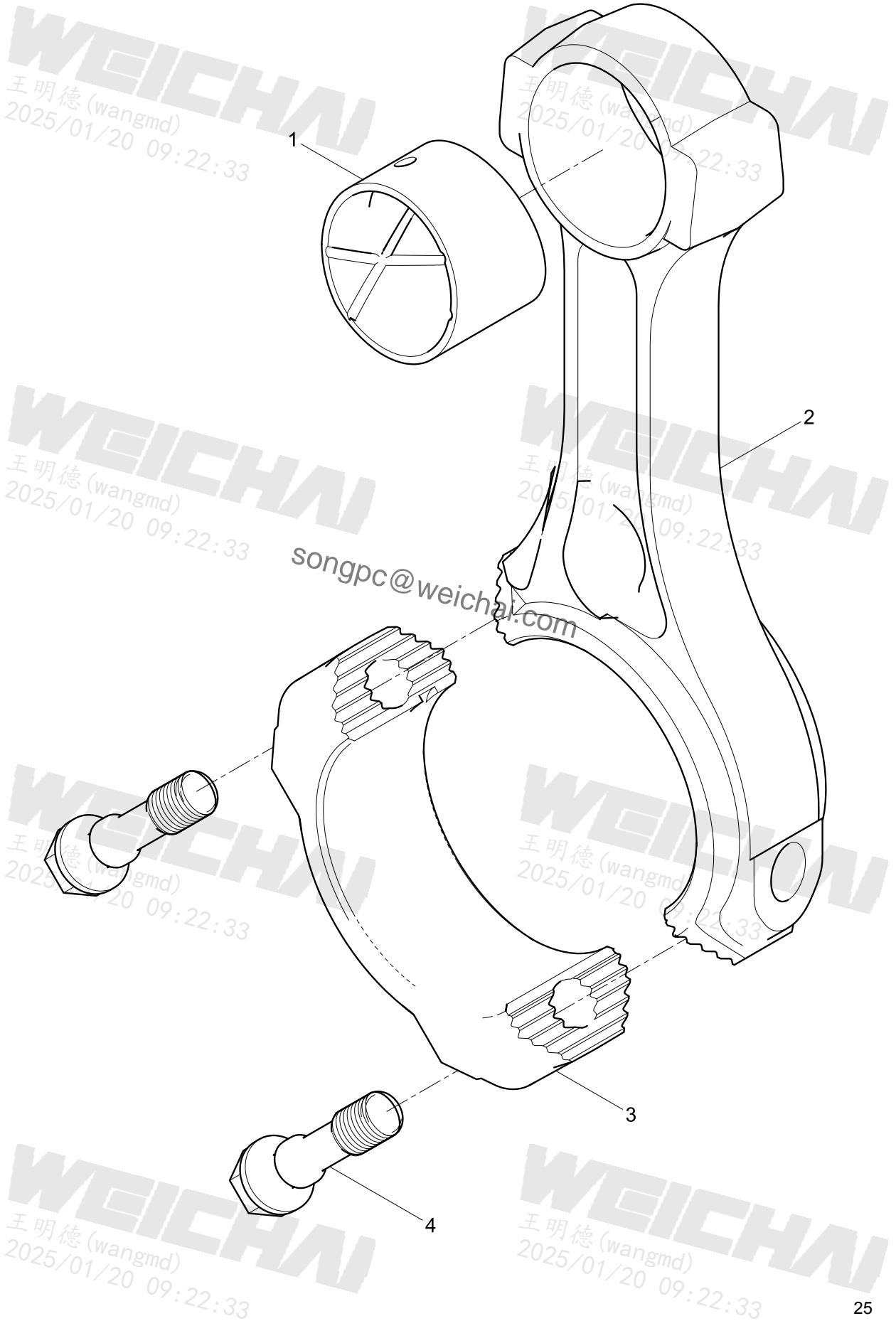
WEICHAI
王明德(wangmd)
2025/01/20 09:22:33

WEICHAI
王明德(wangmd)
2025/01/20 09:22:33

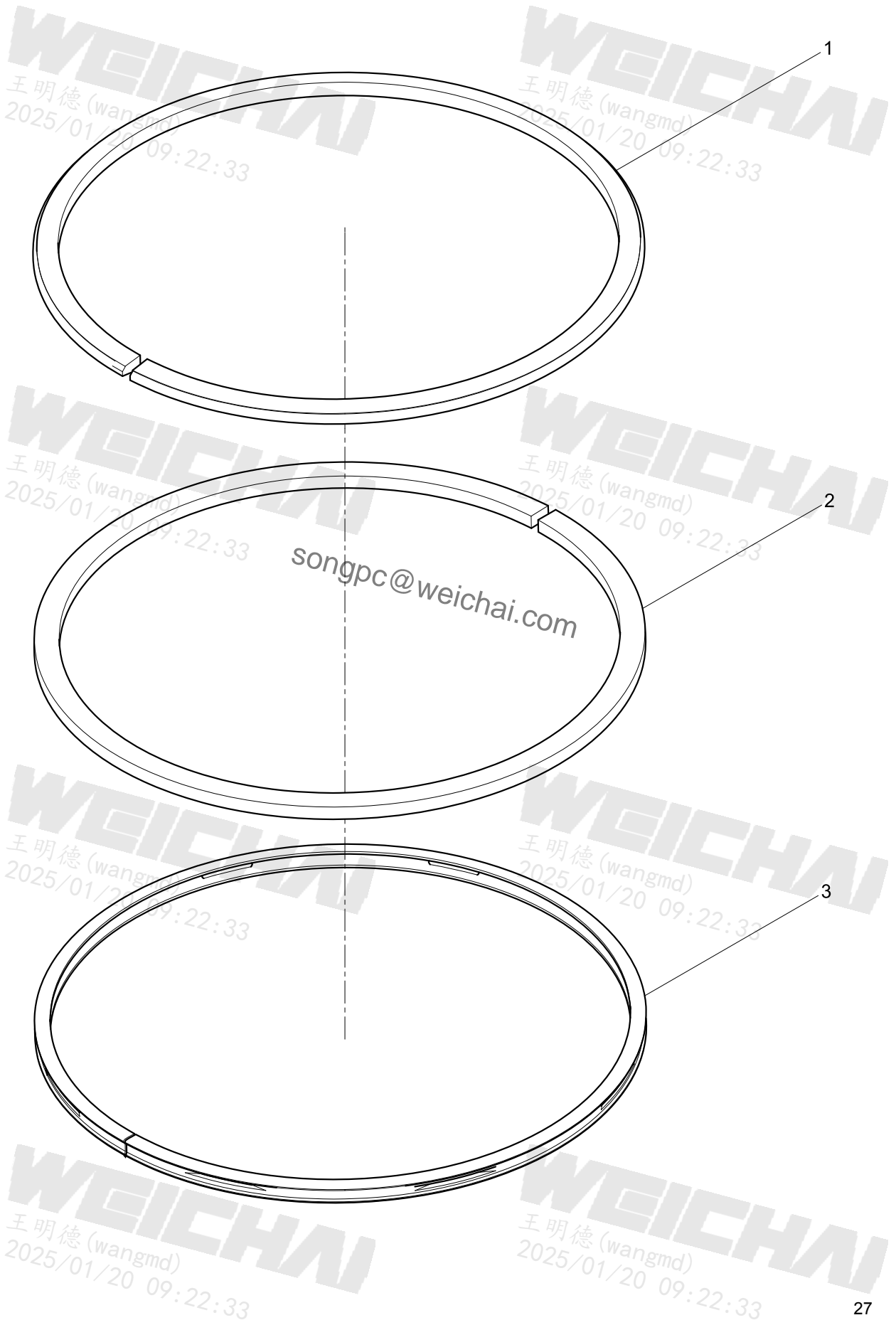
活塞连杆结合组(Piston and Connecting Rod Group)



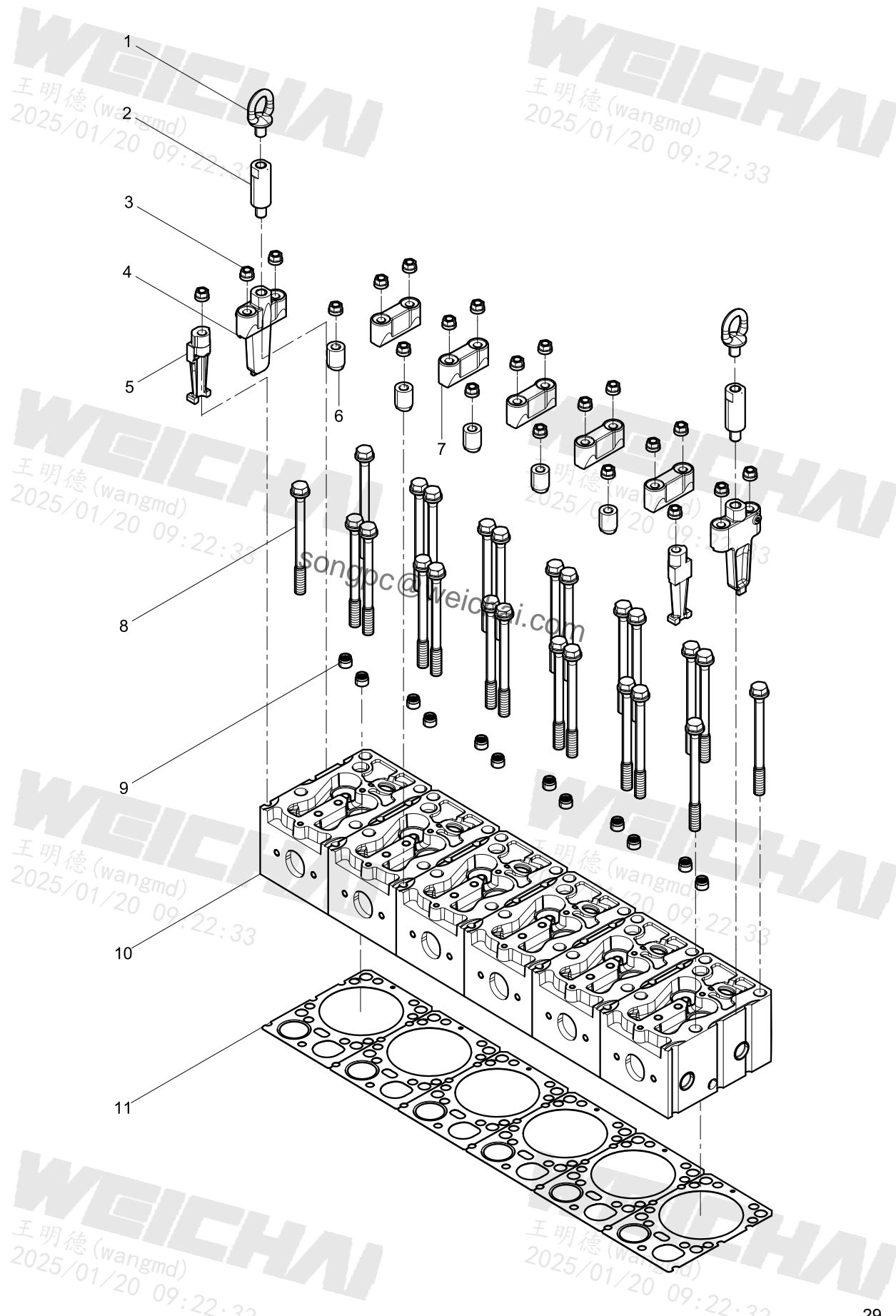
连杆总成(Connecting Rod Assembly)



活塞环组件(Piston Ring Set)



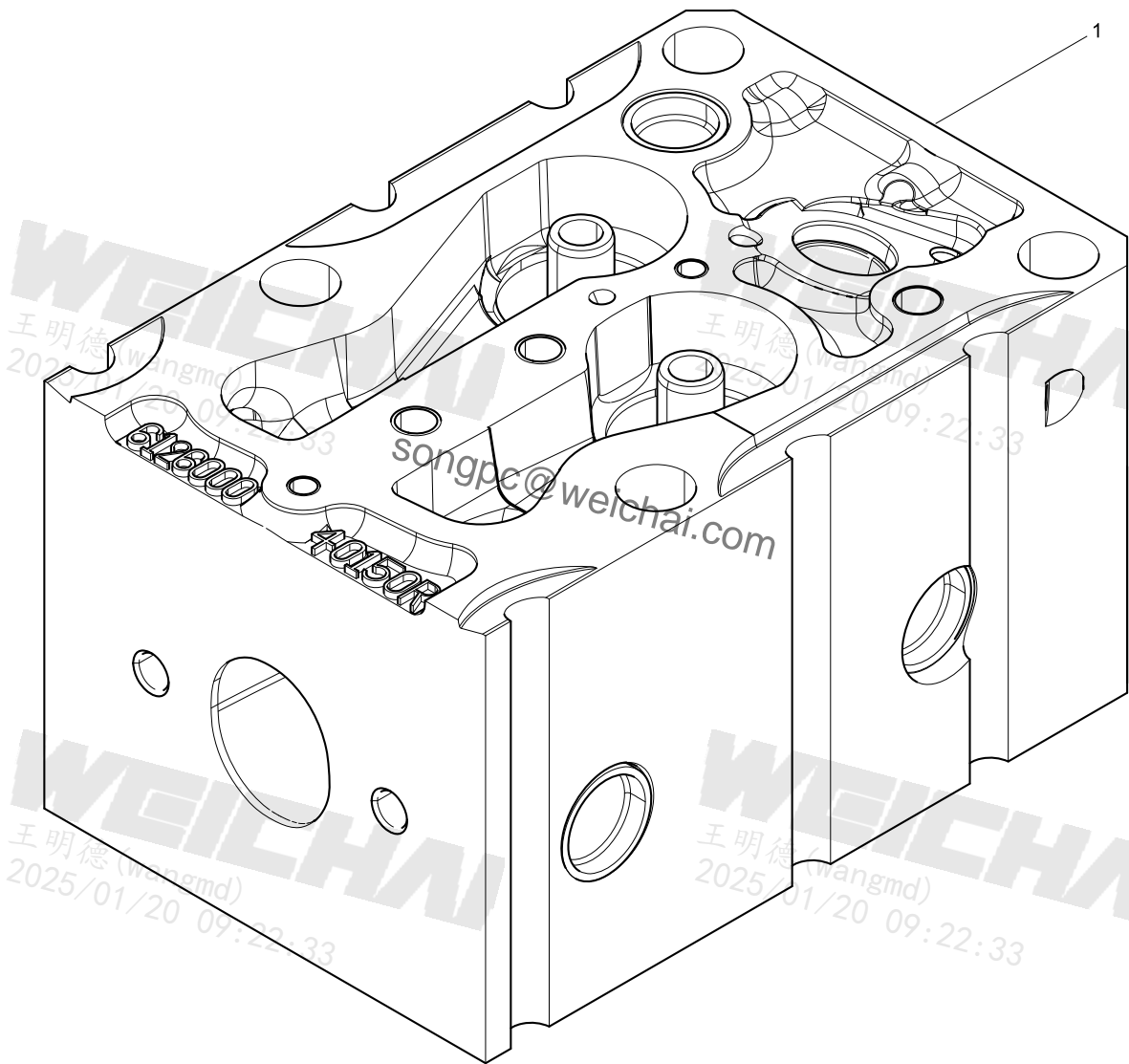
气缸盖结合组(Cylinder Head Group)



气缸盖总成(Cylinder Head Assembly)

WEICHAI
王明德(wangmd)
2025/01/20 09:22:33

WEICHAI
王明德(wangmd)
2025/01/20 09:22:33



WEICHAI
王明德(wangmd)
2025/01/20 09:22:33

WEICHAI
王明德(wangmd)
2025/01/20 09:22:33

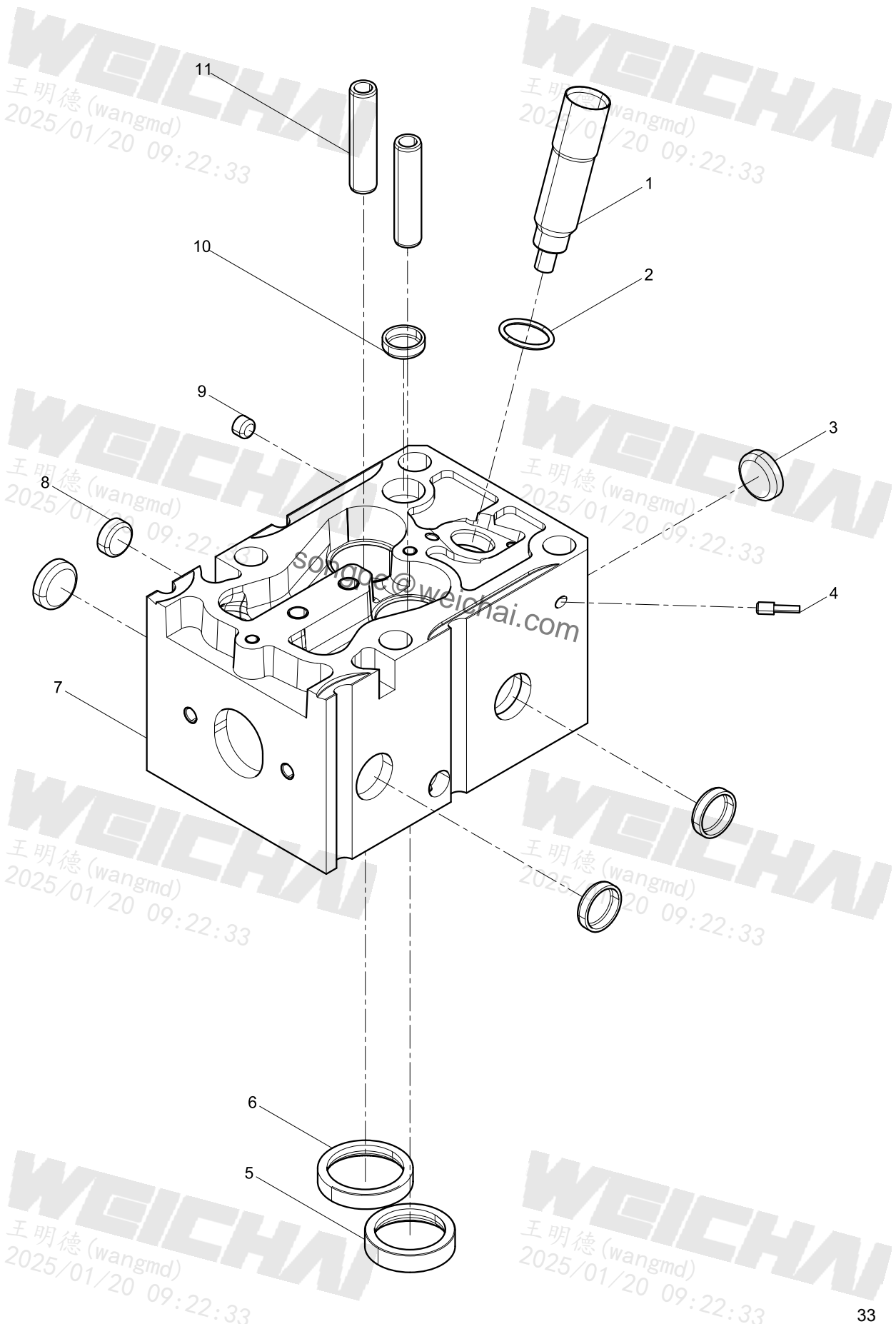
WEICHAI
王明德(wangmd)
2025/01/20 09:22:33

WEICHAI
王明德(wangmd)
2025/01/20 09:22:33

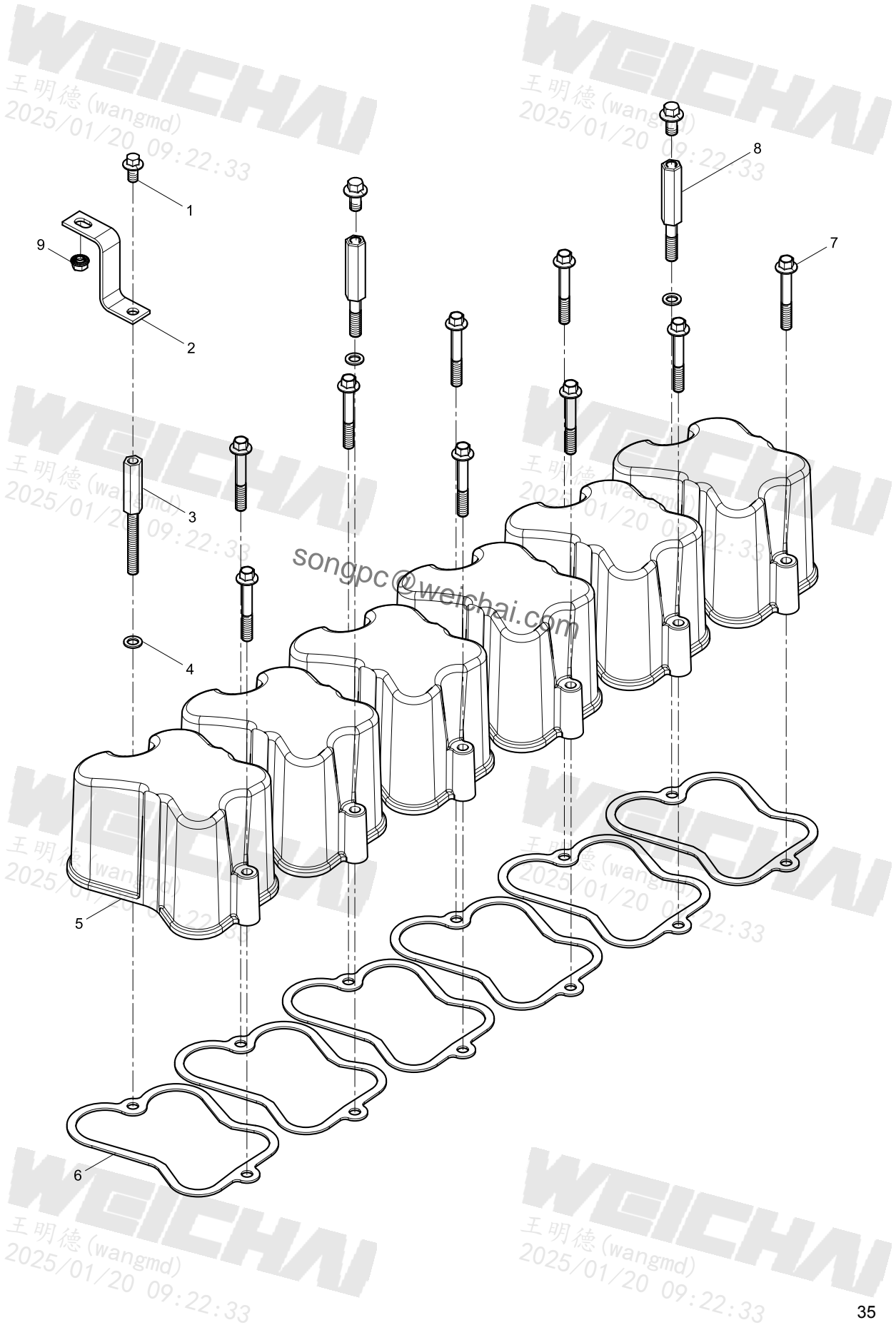
WEICHAI
王明德(wangmd)
2025/01/20 09:22:33

WEICHAI
王明德(wangmd)
2025/01/20 09:22:33

气缸盖分总成(Cylinder Head Subassembly)



气缸盖罩结合组(Cylinder Head Cover Group)



油气分离器结合组(Oil-gas Separator Group)

WEICHAI
王明德(wangmd)
2025/01/20 09:22:33

WEICHAI
王明德(wangmd)
2025/01/20 09:22:33

WEICHAI
王明德(wangmd)
2025/01/20 09:22:33

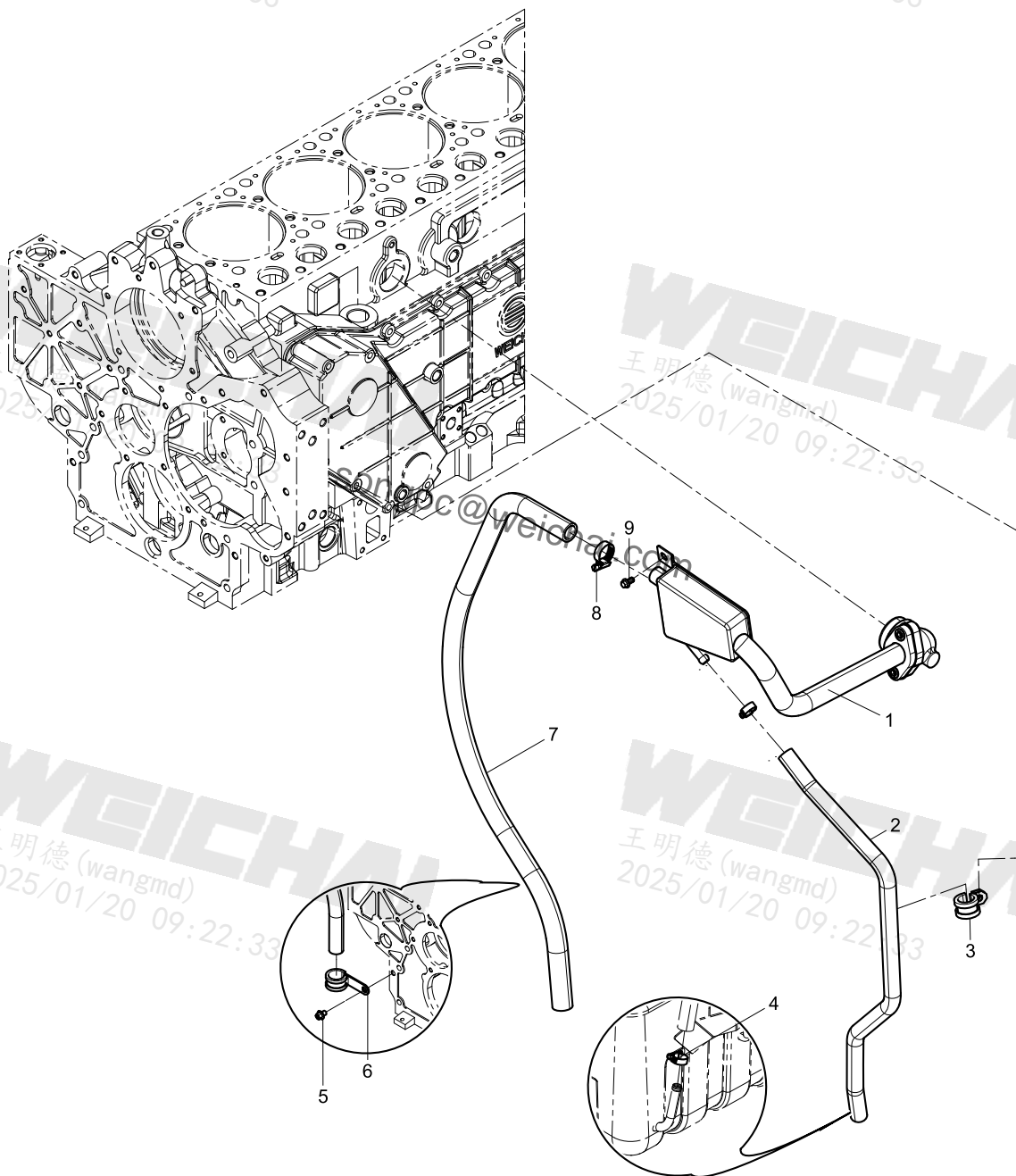
WEICHAI
王明德(wangmd)
2025/01/20 09:22:33

WEICHAI
王明德(wangmd)
2025/01/20 09:22:33

WEICHAI
王明德(wangmd)
2025/01/20 09:22:33

WEICHAI
王明德(wangmd)
2025/01/20 09:22:33

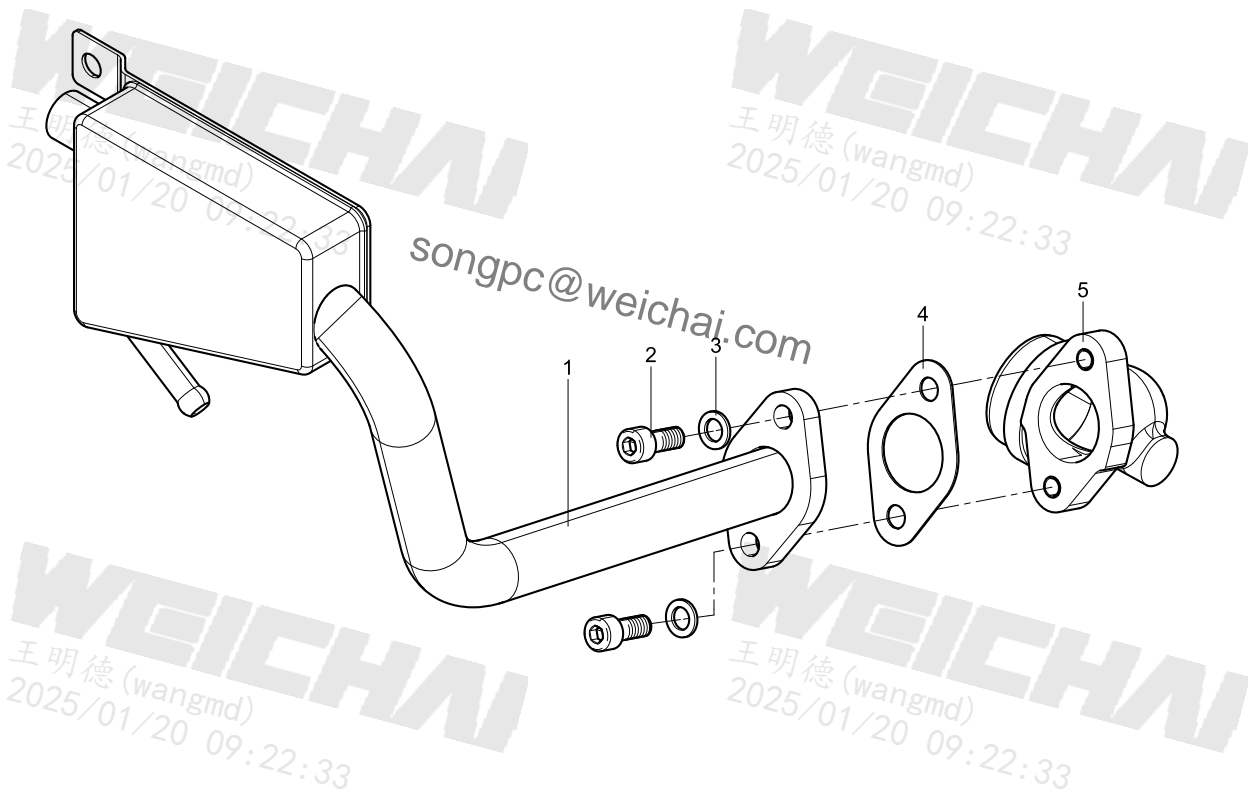
WEICHAI
王明德(wangmd)
2025/01/20 09:22:33



油气分离器(Oil-gas Separator)

WEICHAI
王明德(wangmd)
2025/01/20 09:22:33

WEICHAI
王明德(wangmd)
2025/01/20 09:22:33



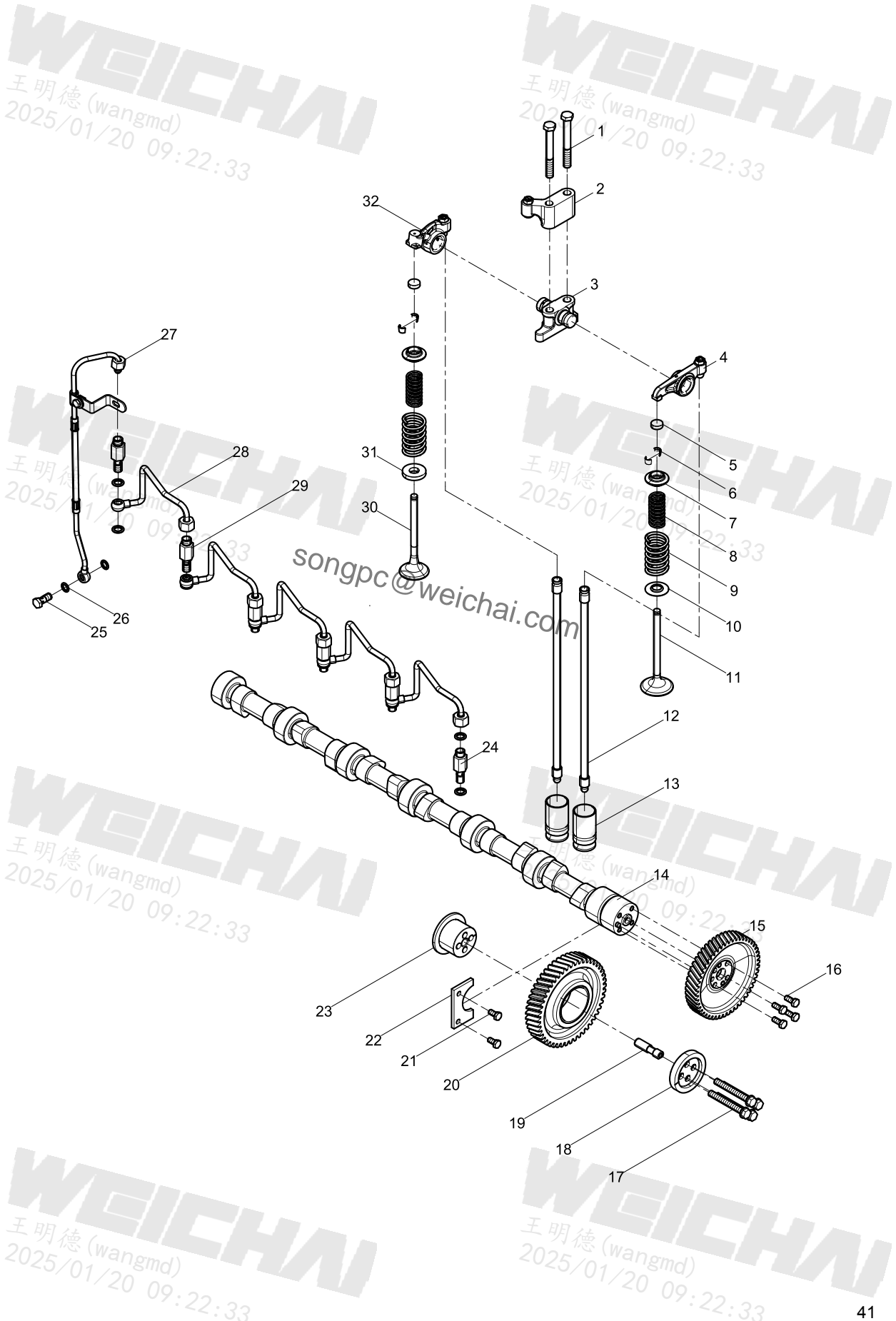
WEICHAI
王明德(wangmd)
2025/01/20 09:22:33

WEICHAI
王明德(wangmd)
2025/01/20 09:22:33

WEICHAI
王明德(wangmd)
2025/01/20 09:22:33

WEICHAI
王明德(wangmd)
2025/01/20 09:22:33

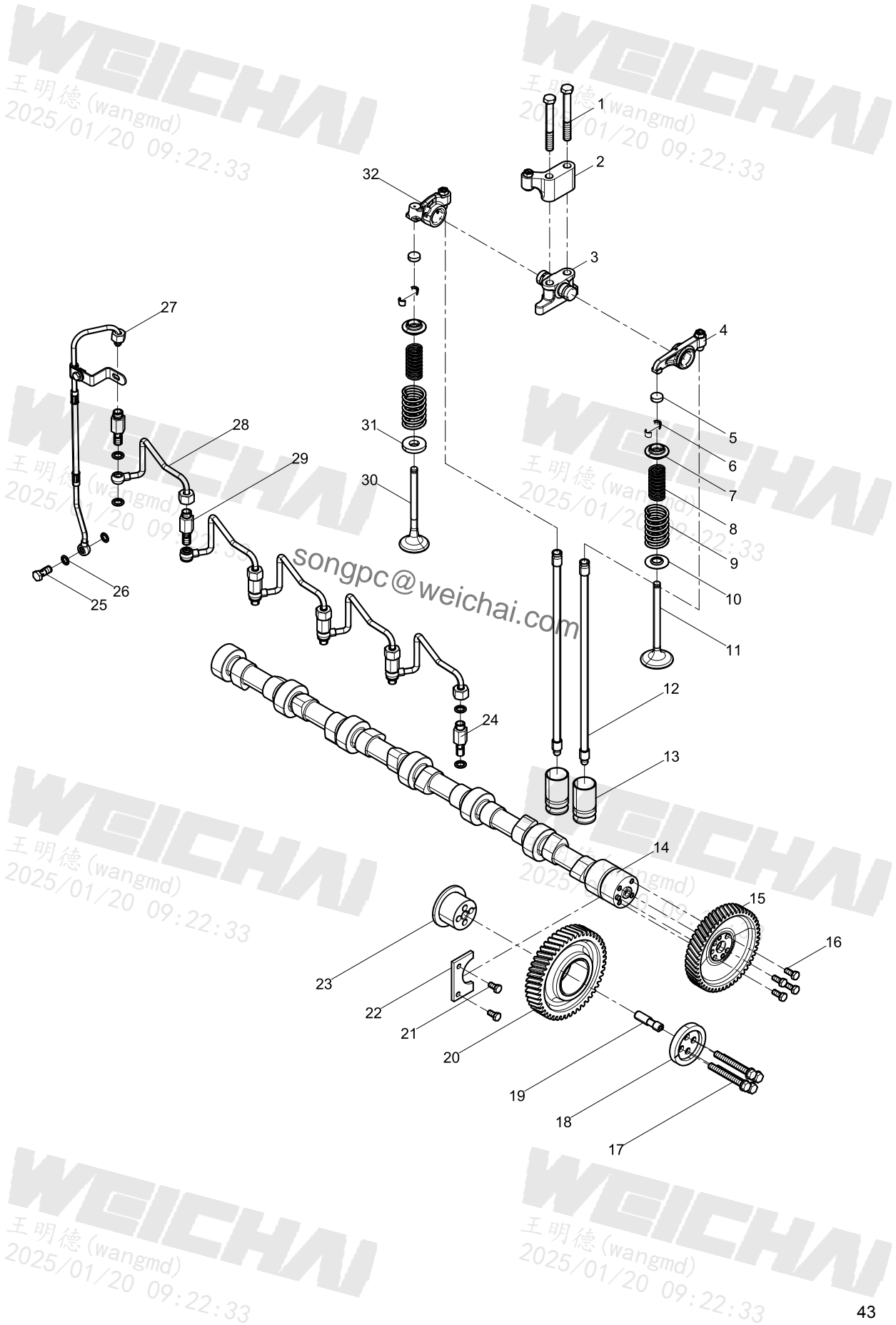
配气机构结合组(Valve Train Group)



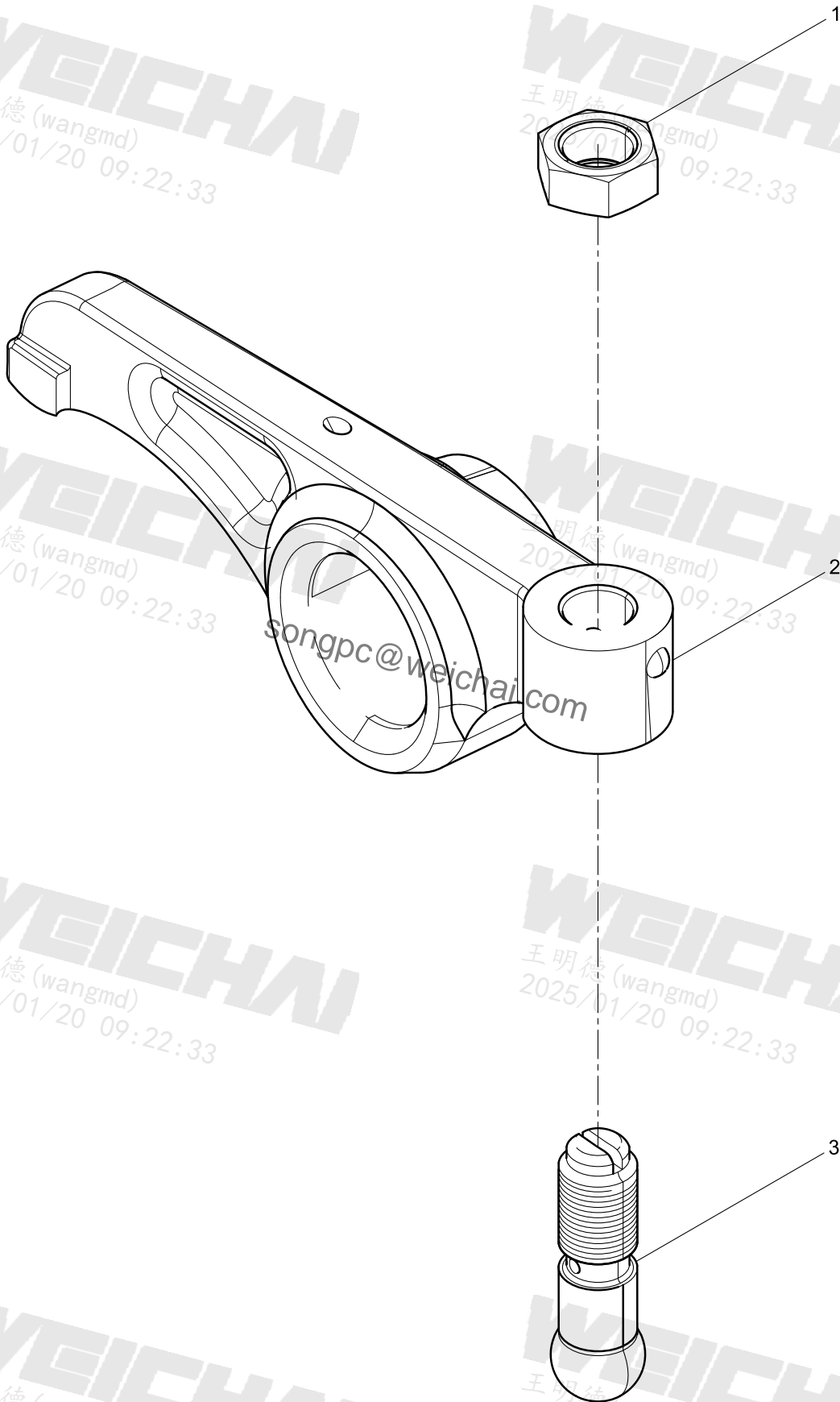
配气机构结合组(Valve Train Group)

图序号 Pos.	件号 Part Number	数量 Qty.	中文名称	Part Name
1	90011350067	12	六角头螺栓	Hexagon Head Bolt
2	612600050270	6	EVB支架总成	EVB Bracket Assembly
3	612600050027	6	摇臂座总成	Rocker Arm Bracket Assembly
4	612600050177	6	进气摇臂总成	Intake Rocker Arm Assembly
5	61500050105	12	气门帽	Valve Cap
6	61500050025	24	气门锁夹	Valve Collet
7	61500050109	12	气门弹簧上座	Valve Spring Top Retainer
8	61500050001	12	气门内弹簧	Inner Valve Spring
9	61500050002	12	气门外弹簧	Outer Valve Spring
10	614050017	6	进气门弹簧下座	Intake Valve Spring Bottom Retainer
11	612600050072	6	进气门	Intake Valve
12	612600050272	12	推杆	Push Rod
13	61500050032	12	挺杆	Tappet
14	612600050085	1	凸轮轴总成	Camshaft Assembly
15	614050053	1	凸轮轴正时齿轮	Camshaft Timing Gear
16	612600050145S	4	六角法兰面螺栓	Hexagon Flange Bolt
17	61560050059S	4	六角头螺栓	Hexagon Head Bolt
18	61560050045	1	垫片	Gasket
19	61560050058	1	中间齿轮轴	Idler Gear Shaft
20	61560050053	1	中间齿轮总成	Idler Gear Assembly
21	90003802399S	2	六角头螺栓	Hexagon Head Bolt
22	614050133	1	凸轮轴止推片	Camshaft Thrust Plate
23	61560050044	1	中间齿轮轴	Idler Gear Shaft
24	612600050041	1	接头体	Joint Body
25	612600050039	1	螺栓	Bolt
26	612600081911	13	组合密封垫圈	Assembled Sealing Washer
27	1000053521	1	EVB进油管	EVB Oil-inlet Pipe

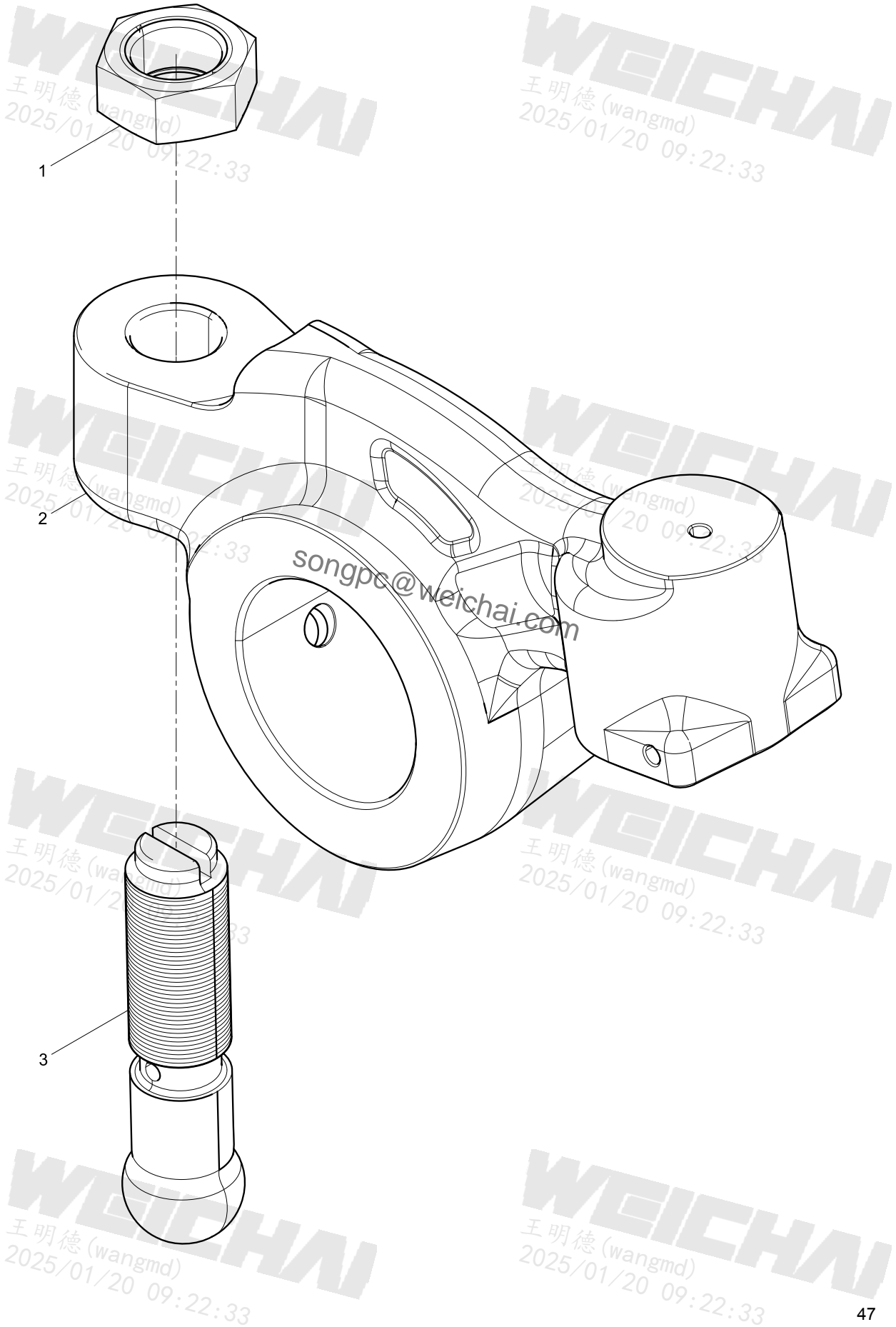
配气机构结合组(Valve Train Group)



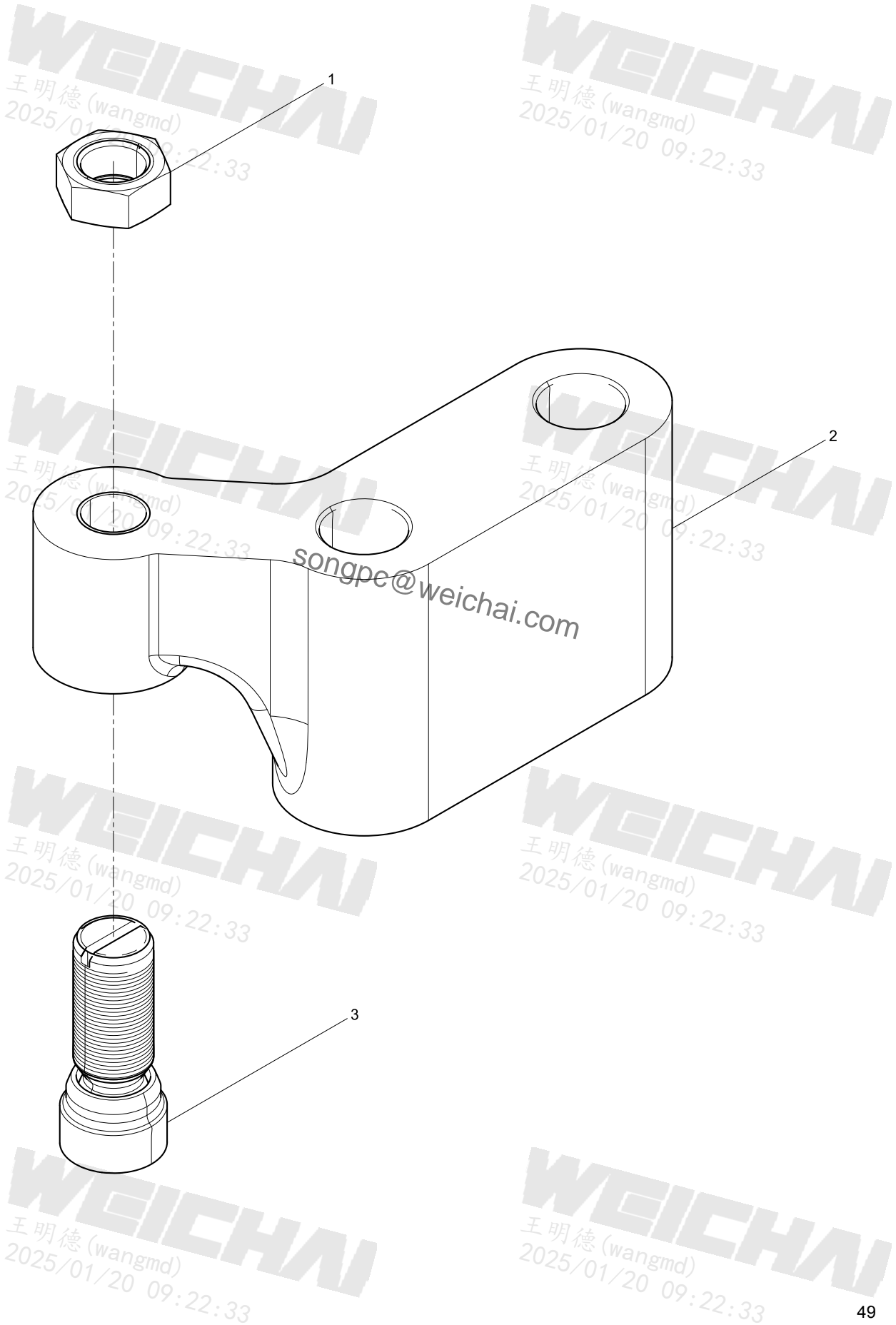
进气摇臂总成(Intake Rocker Arm Assembly)



制动摇臂总成(Brake Rocker Arm Assembly)



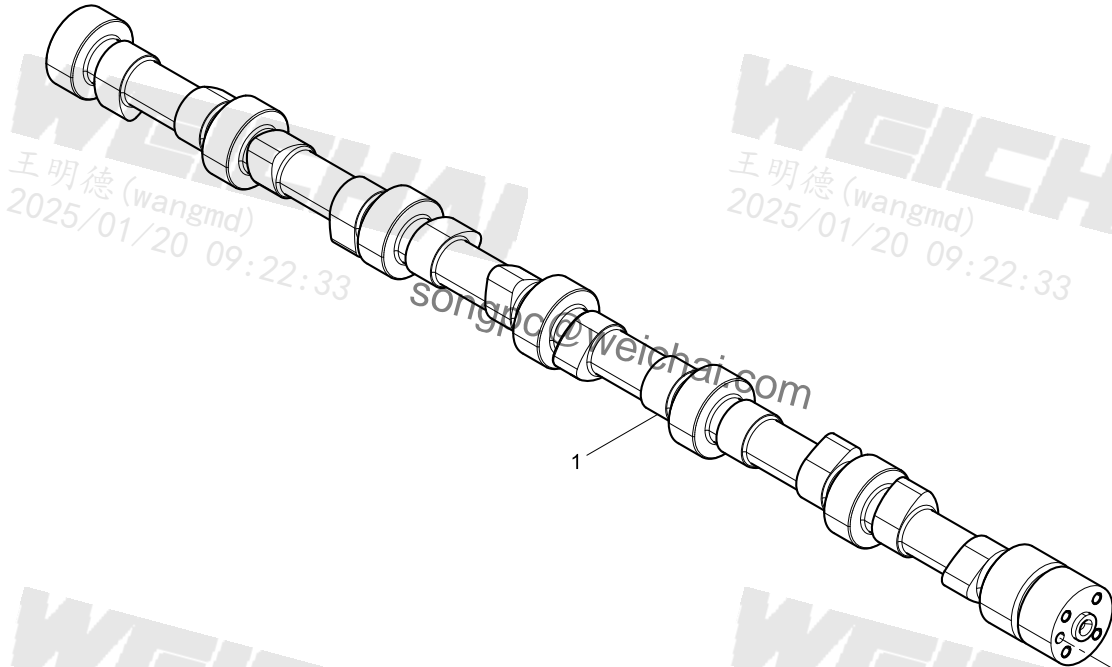
EVB支架总成(EVB Bracket Assembly)



凸轮轴总成(Camshaft Assembly)

WEICHAI
王明德(wangmd)
2025/01/20 09:22:33

WEICHAI
王明德(wangmd)
2025/01/20 09:22:33



WEICHAI
王明德(wangmd)
2025/01/20 09:22:33

WEICHAI
王明德(wangmd)
2025/01/20 09:22:33

WEICHAI
王明德(wangmd)
2025/01/20 09:22:33

WEICHAI
王明德(wangmd)
2025/01/20 09:22:33

WEICHAI
王明德(wangmd)
2025/01/20 09:22:33

WEICHAI
王明德(wangmd)
2025/01/20 09:22:33

中间齿轮总成(Idler Gear Assembly)

WEICHAI
王明德(wangmd)
2025/01/20 09:22:33

WEICHAI
王明德(wangmd)
2025/01/20 09:22:33

WEICHAI
王明德(wangmd)
2025/01/20 09:22:33

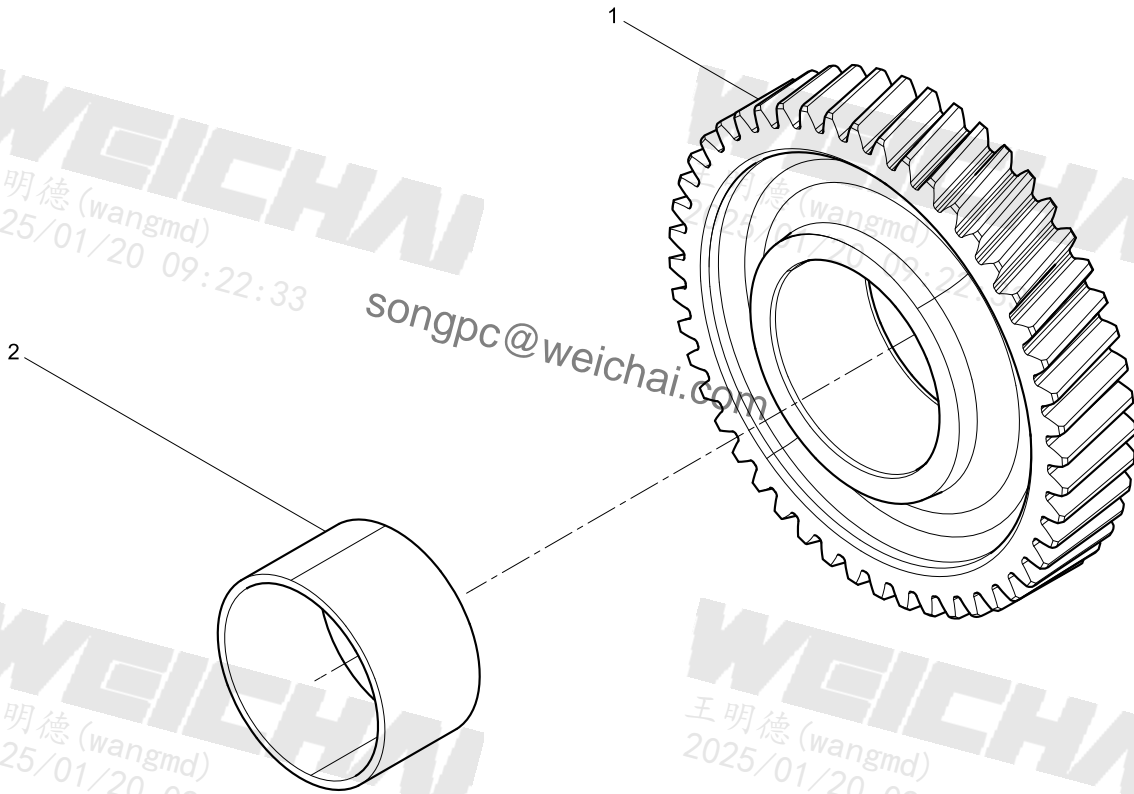
WEICHAI
王明德(wangmd)
2025/01/20 09:22:33

WEICHAI
王明德(wangmd)
2025/01/20 09:22:33

WEICHAI
王明德(wangmd)
2025/01/20 09:22:33

WEICHAI
王明德(wangmd)
2025/01/20 09:22:33

WEICHAI
王明德(wangmd)
2025/01/20 09:22:33



曲轴皮带轮结合组(Crankshaft Pulley Group)

WEICHAI
王明德(wangmd)
2025/01/20 09:22:33

WEICHAI
王明德(wangmd)
2025/01/20 09:22:33

WEICHAI
王明德(wangmd)
2025/01/20 09:22:33

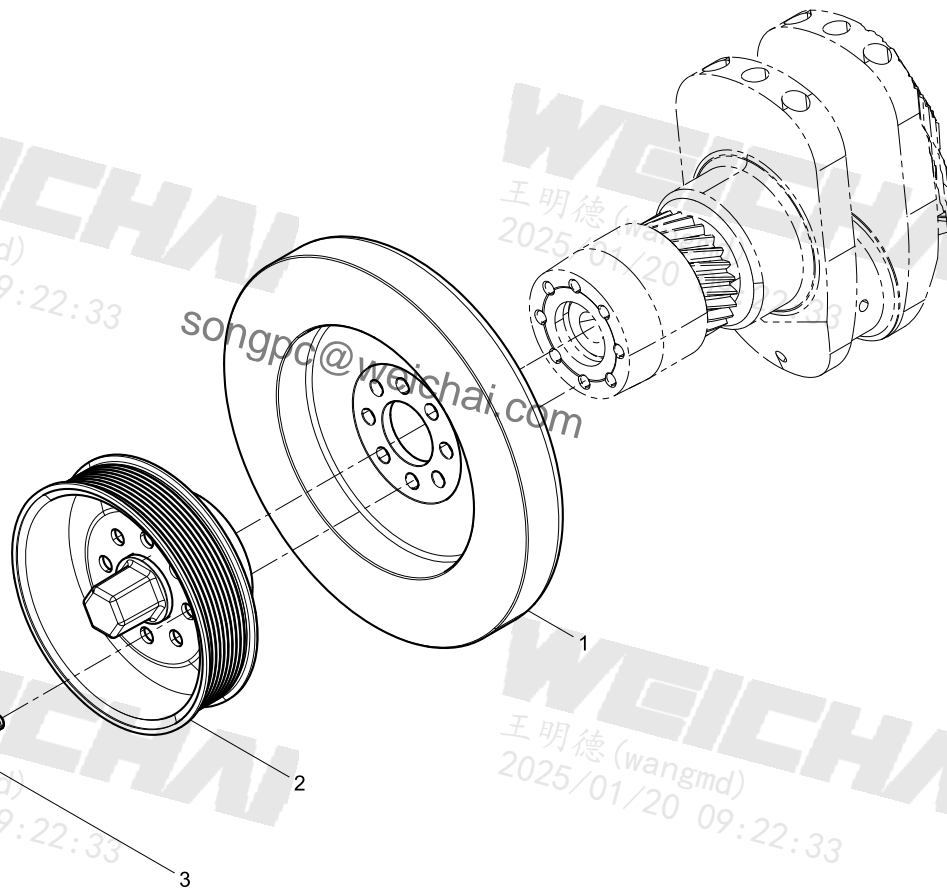
WEICHAI
王明德(wangmd)
2025/01/20 09:22:33

WEICHAI
王明德(wangmd)
2025/01/20 09:22:33

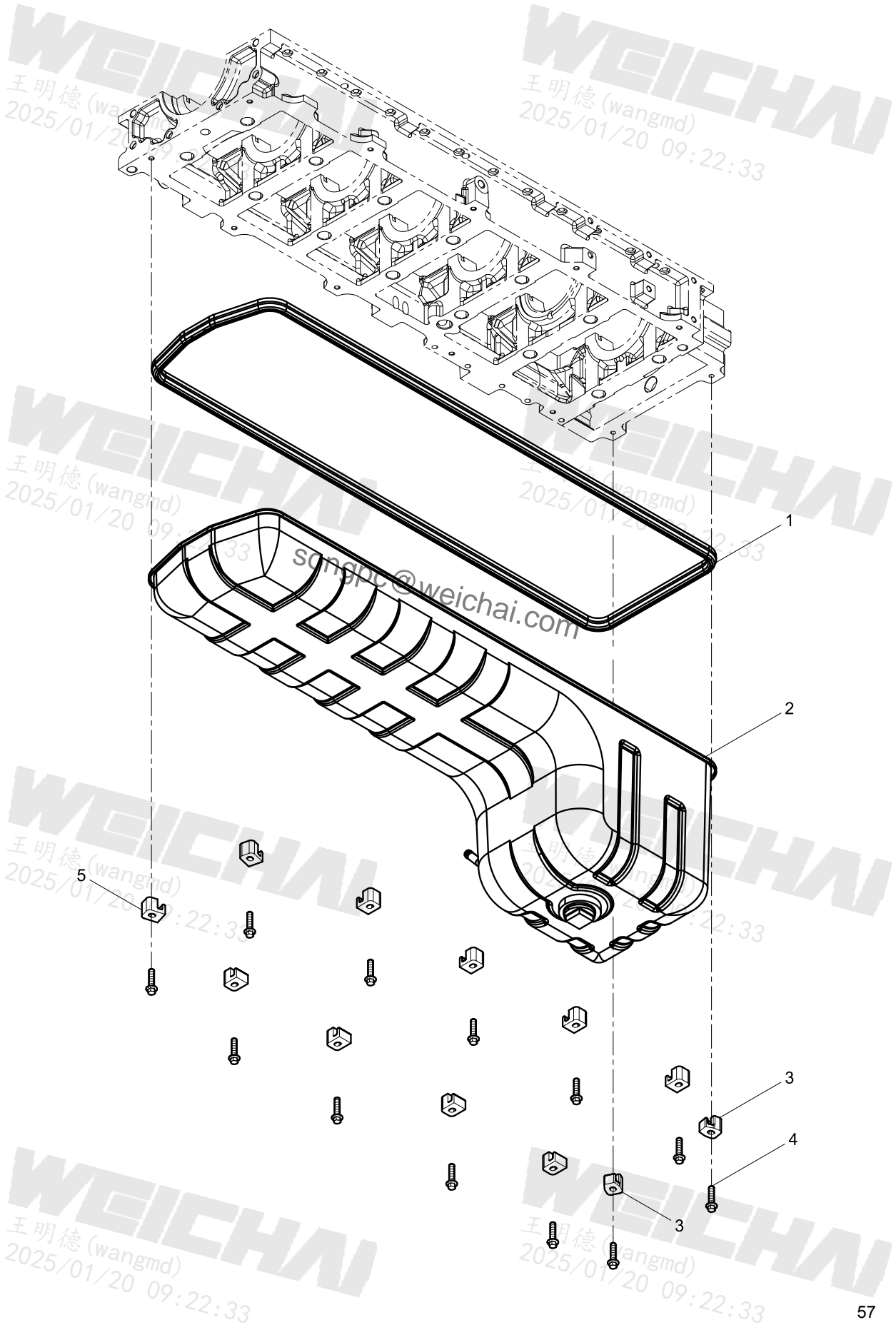
WEICHAI
王明德(wangmd)
2025/01/20 09:22:33

WEICHAI
王明德(wangmd)
2025/01/20 09:22:33

WEICHAI
王明德(wangmd)
2025/01/20 09:22:33



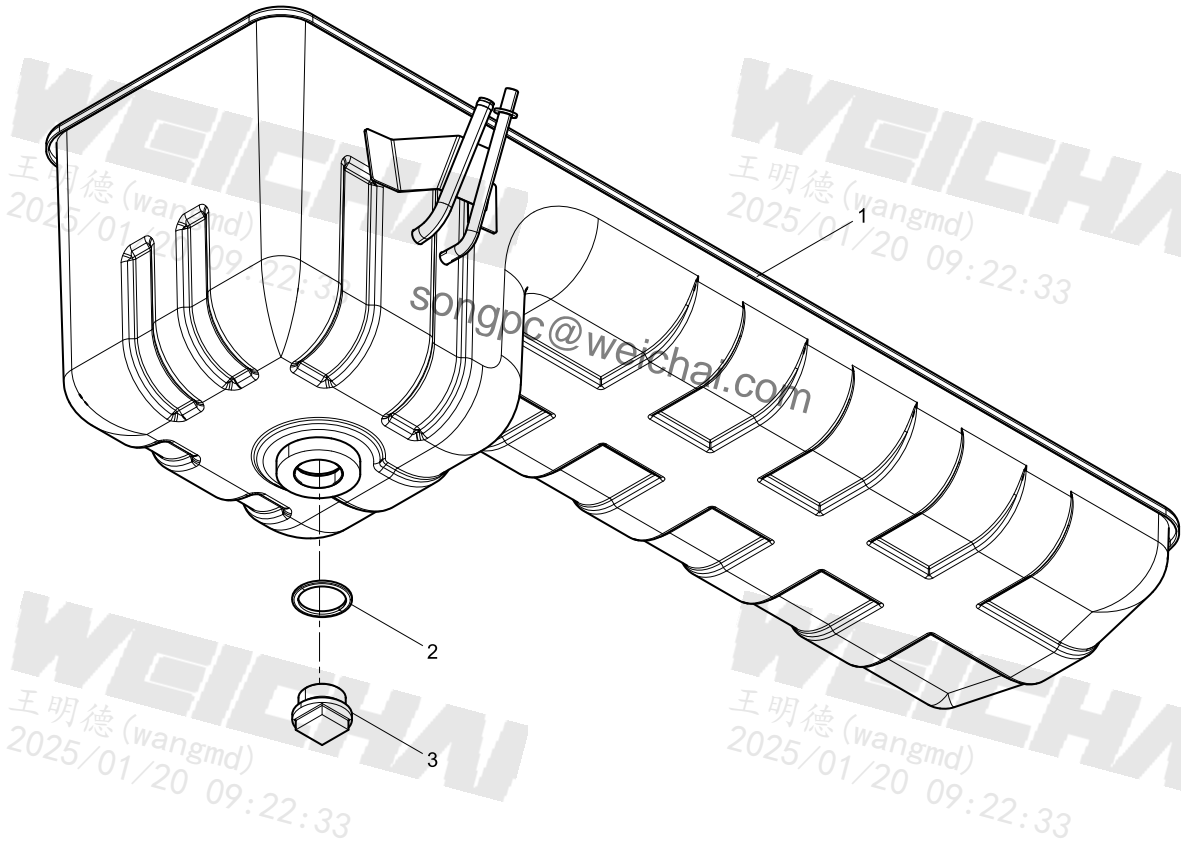
油底壳结合组(Oil Pan Group)



油底壳总成(Oil Pan Assembly)

WEICHAI
王明德(wangmd)
2025/01/20 09:22:33

WEICHAI
王明德(wangmd)
2025/01/20 09:22:33



WEICHAI
王明德(wangmd)
2025/01/20 09:22:33

WEICHAI
王明德(wangmd)
2025/01/20 09:22:33

油标尺总成(Dipstick Assembly)

WEICHAI
王明德(wangmd)
2025/01/20 09:22:33

WEICHAI
王明德(wangmd)
2025/01/20 09:22:33

WEICHAI
王明德(wangmd)
2025/01/20 09:22:33

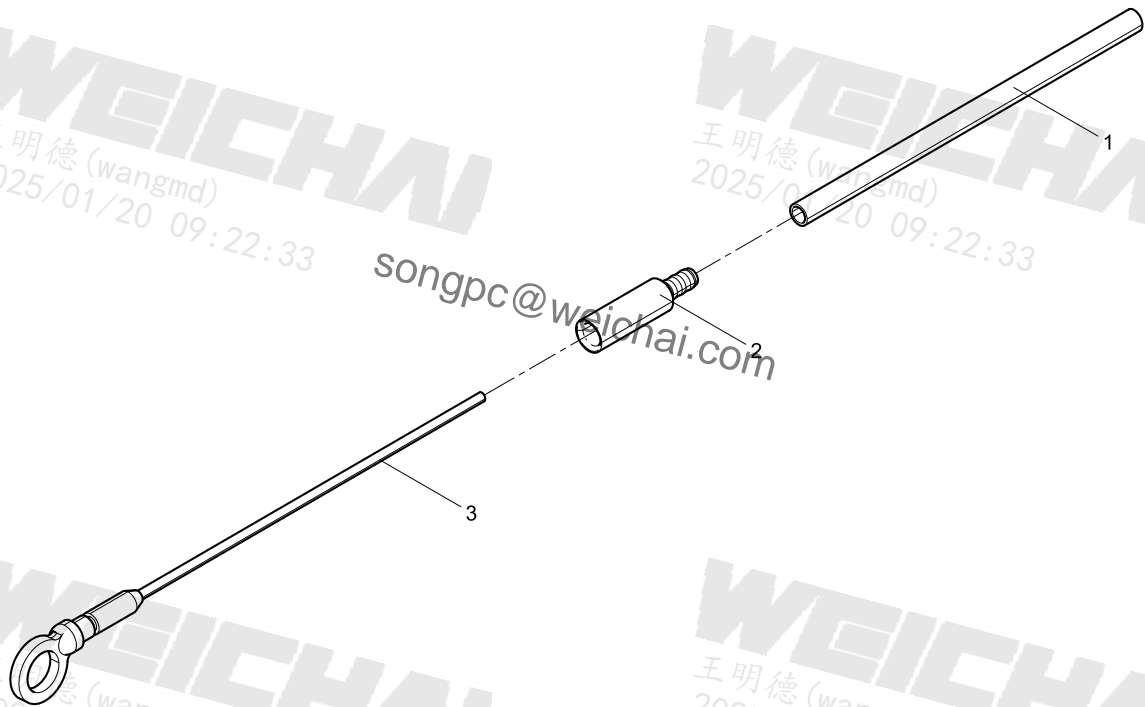
WEICHAI
王明德(wangmd)
2025/01/20 09:22:33

WEICHAI
王明德(wangmd)
2025/01/20 09:22:33

WEICHAI
王明德(wangmd)
2025/01/20 09:22:33

WEICHAI
王明德(wangmd)
2025/01/20 09:22:33

WEICHAI
王明德(wangmd)
2025/01/20 09:22:33

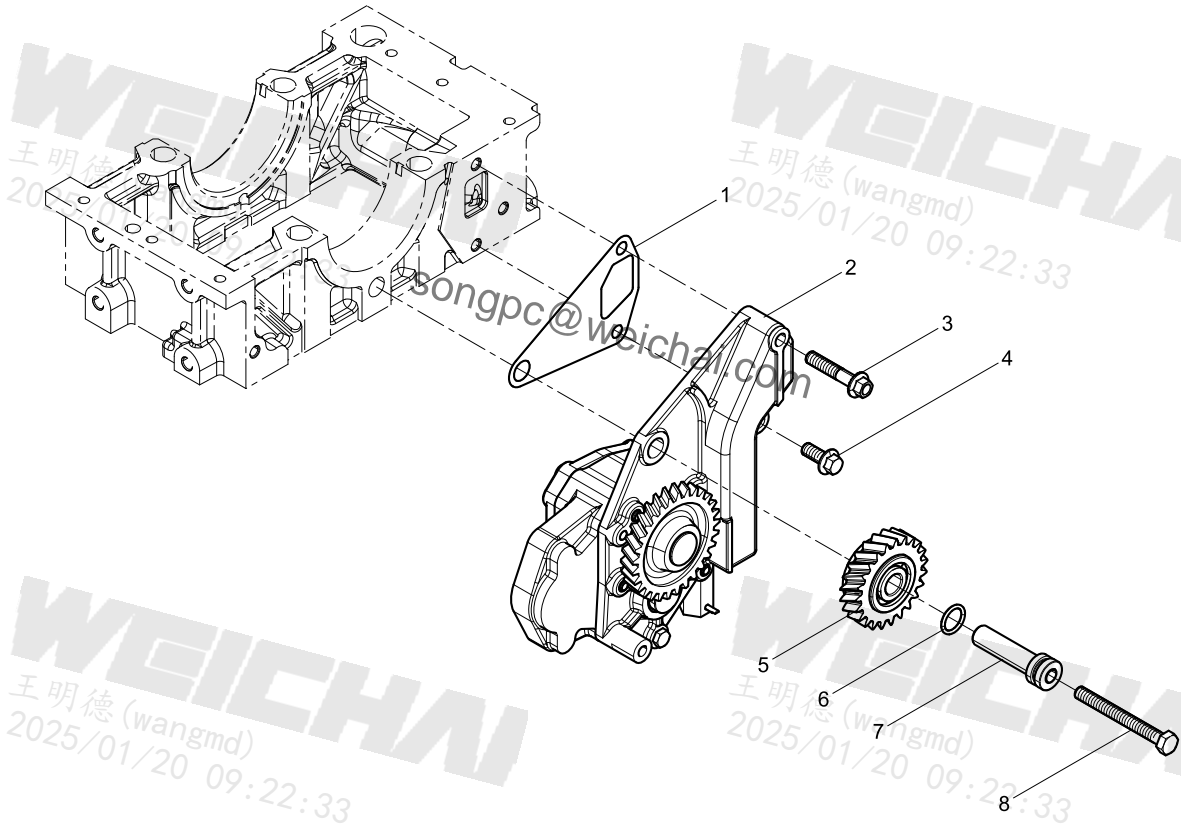


songpc@weichai.com

机油泵结合组(Oil Pump Group)

WEICHAI
王明德(wangmd)
2025/01/20 09:22:33

WEICHAI
王明德(wangmd)
2025/01/20 09:22:33



WEICHAI
王明德(wangmd)
2025/01/20 09:22:33

WEICHAI
王明德(wangmd)
2025/01/20 09:22:33

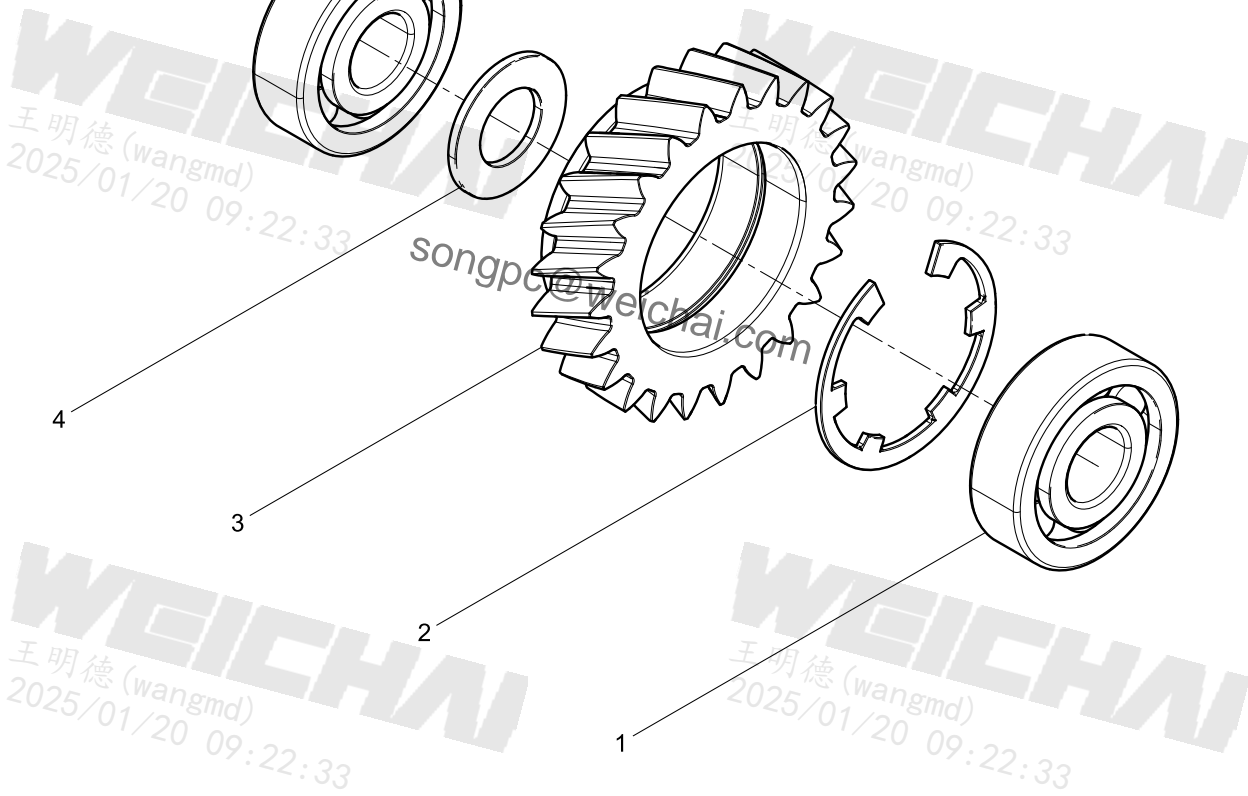
WEICHAI
王明德(wangmd)
2025/01/20 09:22:33

WEICHAI
王明德(wangmd)
2025/01/20 09:22:33

机油泵中间齿轮组件(Oil Pump Idle Gear Set)

WEICHAI
王明德(wangmd)
2025/01/20 09:22:33

WEICHAI
王明德(wangmd)
2025/01/20 09:22:33



WEICHAI
王明德(wangmd)
2025/01/20 09:22:33

WEICHAI
王明德(wangmd)
2025/01/20 09:22:33

机油集滤器结合组(Oil Strainer Group)

WEICHAI
王明德(wangmd)
2025/01/20 09:22:33

WEICHAI
王明德(wangmd)
2025/01/20 09:22:33

WEICHAI
王明德(wangmd)
2025/01/20 09:22:33
wangmd@weichai.com

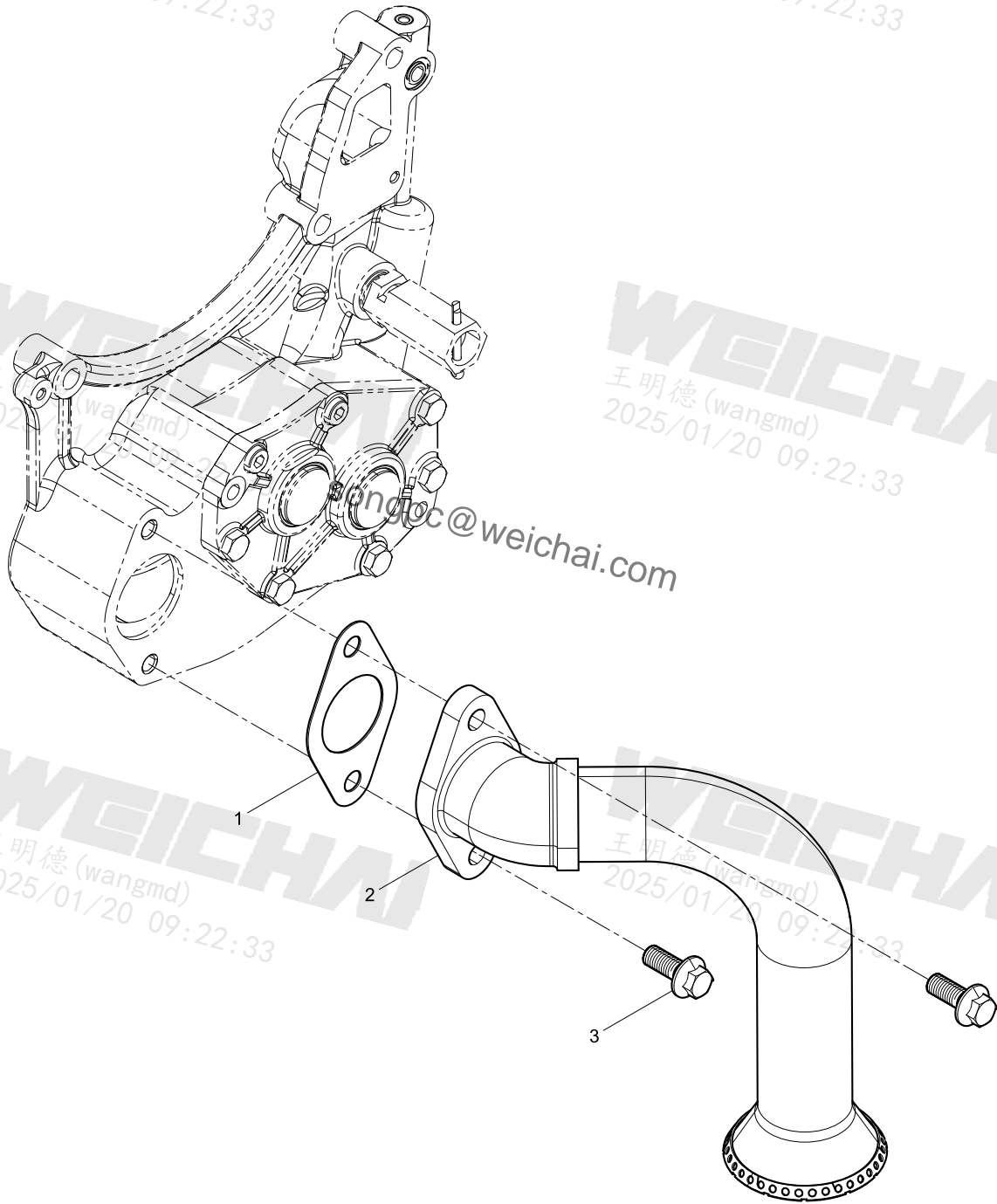
WEICHAI
王明德(wangmd)
2025/01/20 09:22:33

WEICHAI
王明德(wangmd)
2025/01/20 09:22:33

WEICHAI
王明德(wangmd)
2025/01/20 09:22:33

WEICHAI
王明德(wangmd)
2025/01/20 09:22:33

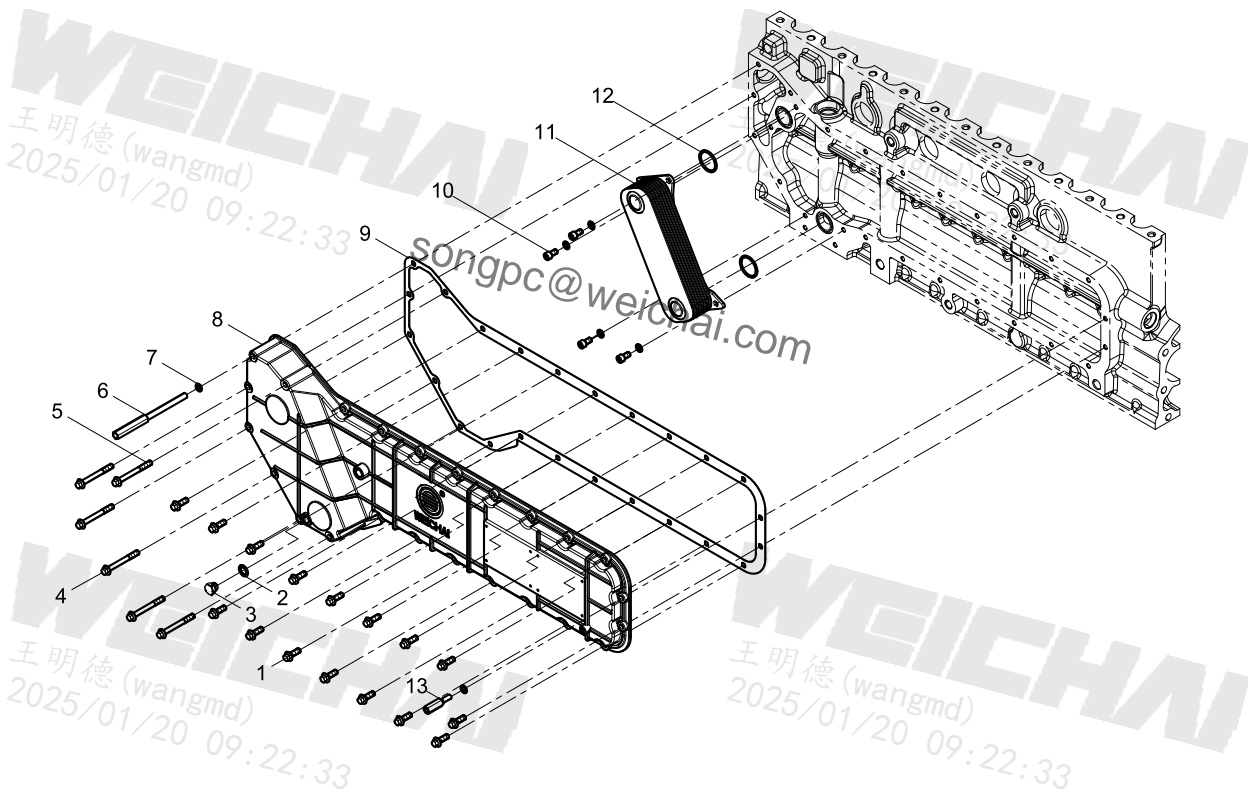
WEICHAI
王明德(wangmd)
2025/01/20 09:22:33



机油冷却器结合组(Oil Cooler Group)

WEICHAI
王明德(wangmd)
2025/01/20 09:22:33

WEICHAI
王明德(wangmd)
2025/01/20 09:22:33



WEICHAI
王明德(wangmd)
2025/01/20 09:22:33

WEICHAI
王明德(wangmd)
2025/01/20 09:22:33

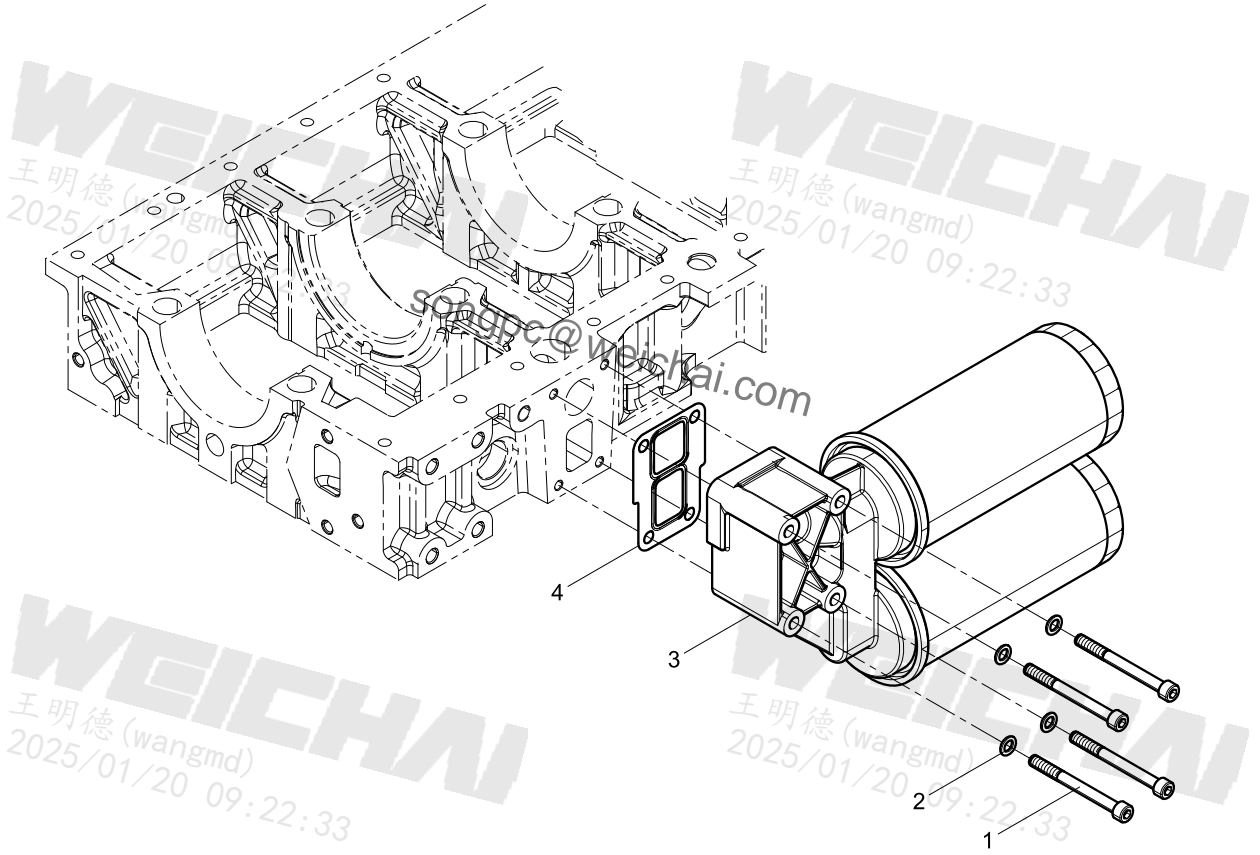
WEICHAI
王明德(wangmd)
2025/01/20 09:22:33

WEICHAI
王明德(wangmd)
2025/01/20 09:22:33

机油滤清器结合组(Oil Filter Group)

WEICHAI
王明德(wangmd)
2025/01/20 09:22:33

WEICHAI
王明德(wangmd)
2025/01/20 09:22:33



WEICHAI
王明德(wangmd)
2025/01/20 09:22:33

WEICHAI
王明德(wangmd)
2025/01/20 09:22:33

WEICHAI
王明德(wangmd)
2025/01/20 09:22:33

WEICHAI
王明德(wangmd)
2025/01/20 09:22:33

机油滤清器(Oil Filter)

WEICHAI
王明德(wangmd)
2025/01/20 09:22:33

WEICHAI
王明德(wangmd)
2025/01/20 09:22:33

WEICHAI
王明德(wangmd)
2025/01/20 09:22:33

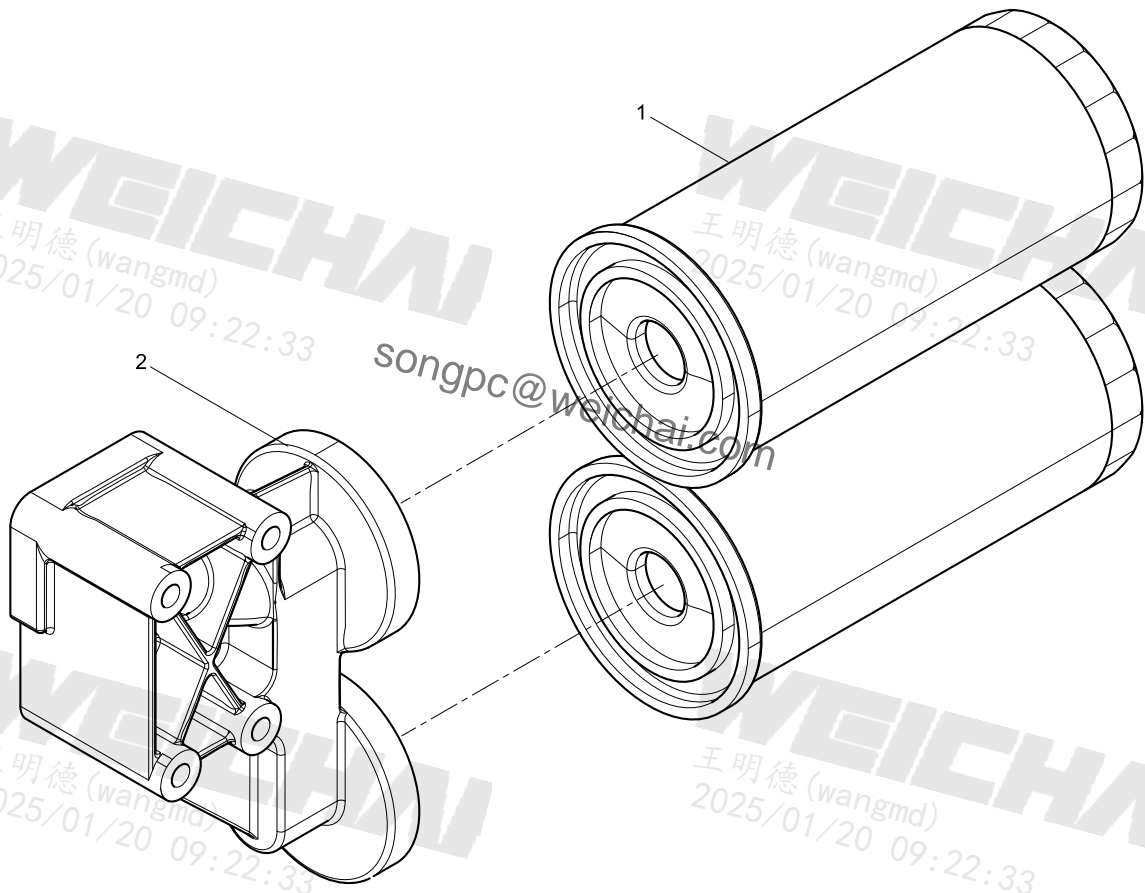
WEICHAI
王明德(wangmd)
2025/01/20 09:22:33

WEICHAI
王明德(wangmd)
2025/01/20 09:22:33

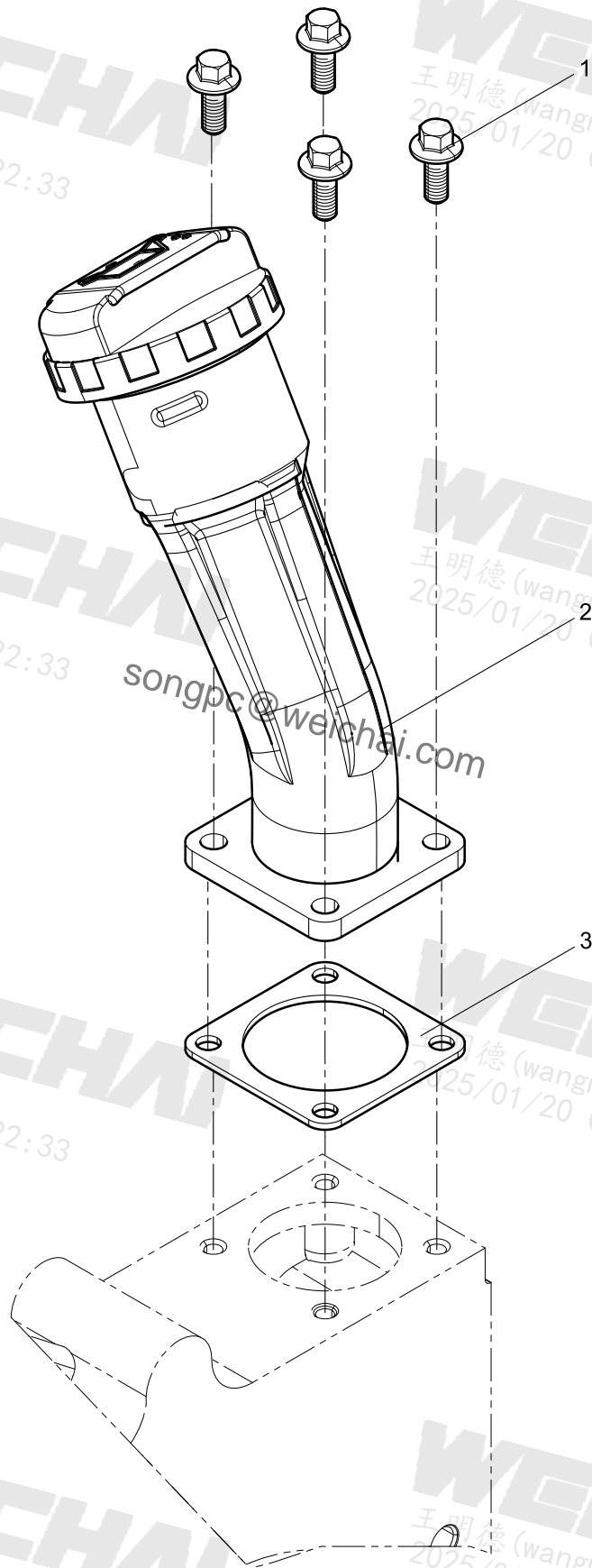
WEICHAI
王明德(wangmd)
2025/01/20 09:22:33

WEICHAI
王明德(wangmd)
2025/01/20 09:22:33

WEICHAI
王明德(wangmd)
2025/01/20 09:22:33



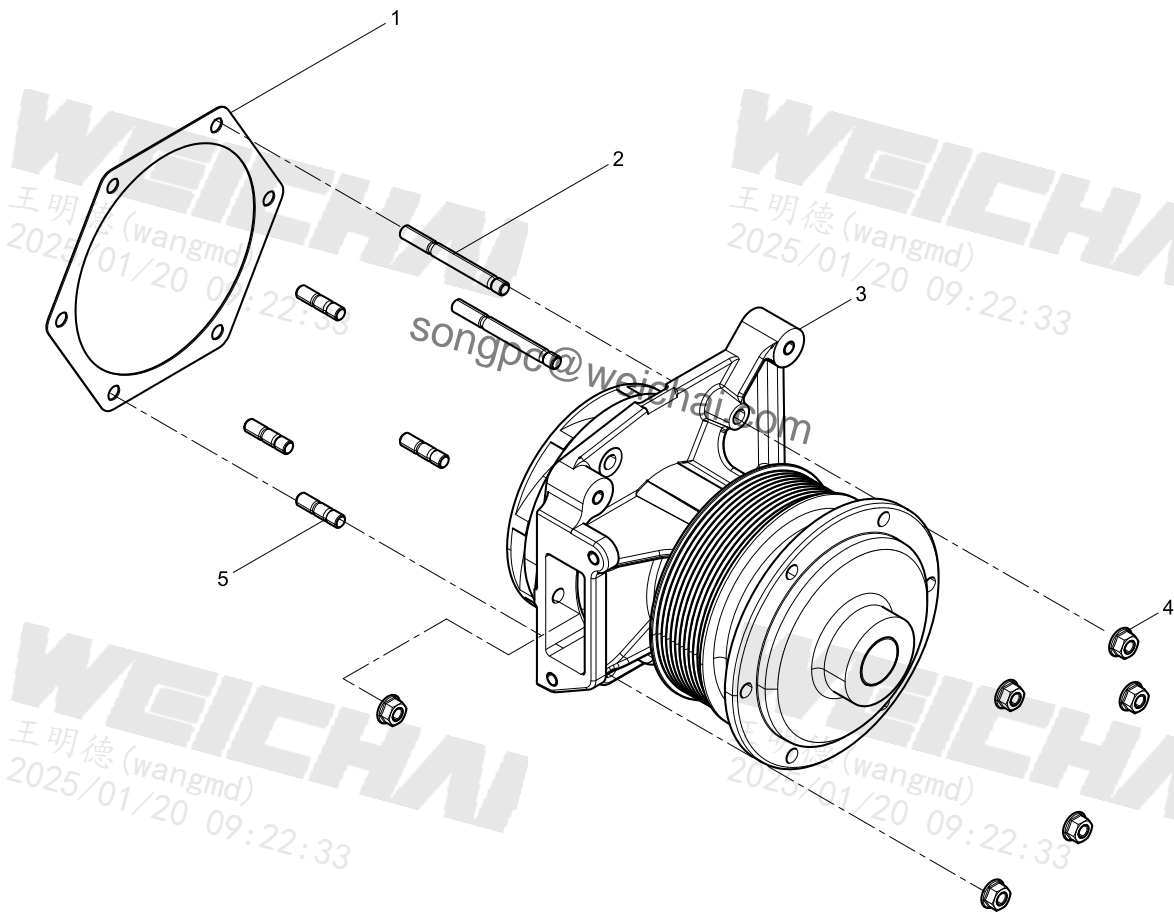
加机油管结合组(Oil Filling Pipe Group)



水泵结合组(Water Pump Group)

WEICHAI
王明德(wangmd)
2025/01/20 09:22:33

WEICHAI
王明德(wangmd)
2025/01/20 09:22:33



WEICHAI
王明德(wangmd)
2025/01/20 09:22:33

WEICHAI
王明德(wangmd)
2025/01/20 09:22:33

WEICHAI
王明德(wangmd)
2025/01/20 09:22:33

WEICHAI
王明德(wangmd)
2025/01/20 09:22:33

水管接头结合组(Water Pipe Joint Group)

WEICHAI
王明德(wangmd)
2025/01/20 09:22:33

WEICHAI
王明德(wangmd)
2025/01/20 09:22:33

WEICHAI
王明德(wangmd)
2025/01/20 09:22:33

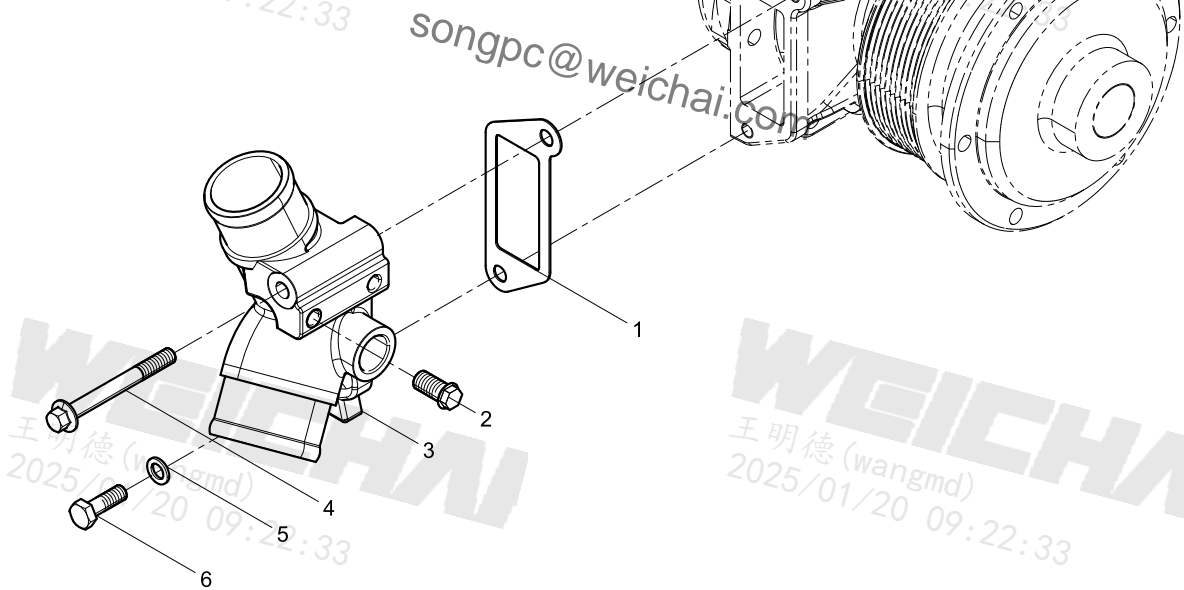
WEICHAI
王明德(wangmd)
2025/01/20 09:22:33

WEICHAI
王明德(wangmd)
2025/01/20 09:22:33

WEICHAI
王明德(wangmd)
2025/01/20 09:22:33

WEICHAI
王明德(wangmd)
2025/01/20 09:22:33

WEICHAI
王明德(wangmd)
2025/01/20 09:22:33



出水管结合组(Water Outlet Pipe Group)

WEICHAI
王明德(wangmd)
2025/01/20 09:22:33

WEICHAI
王明德(wangmd)
2025/01/20 09:22:33

WEICHAI
王明德(wangmd)
2025/01/20 09:22:33

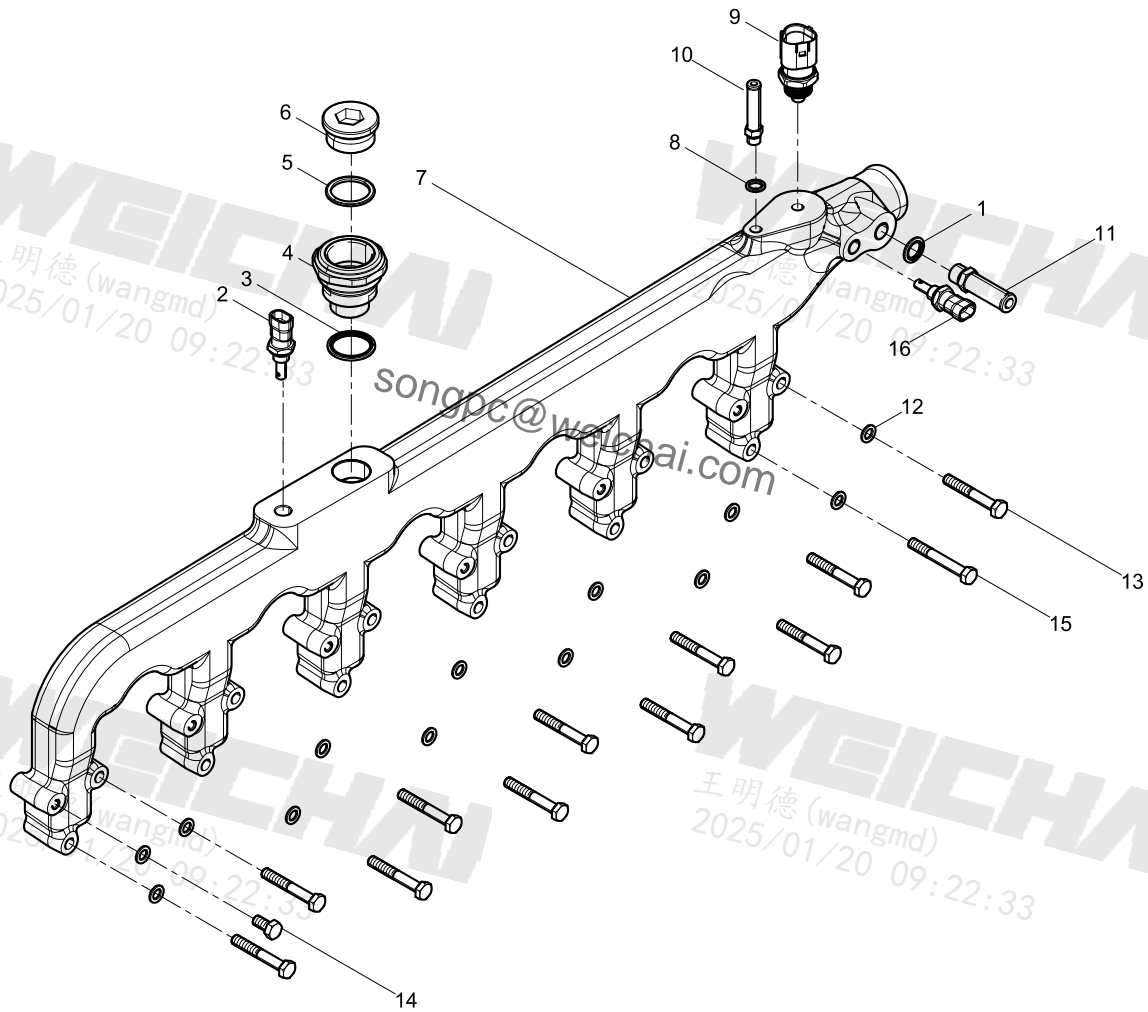
WEICHAI
王明德(wangmd)
2025/01/20 09:22:33

WEICHAI
王明德(wangmd)
2025/01/20 09:22:33

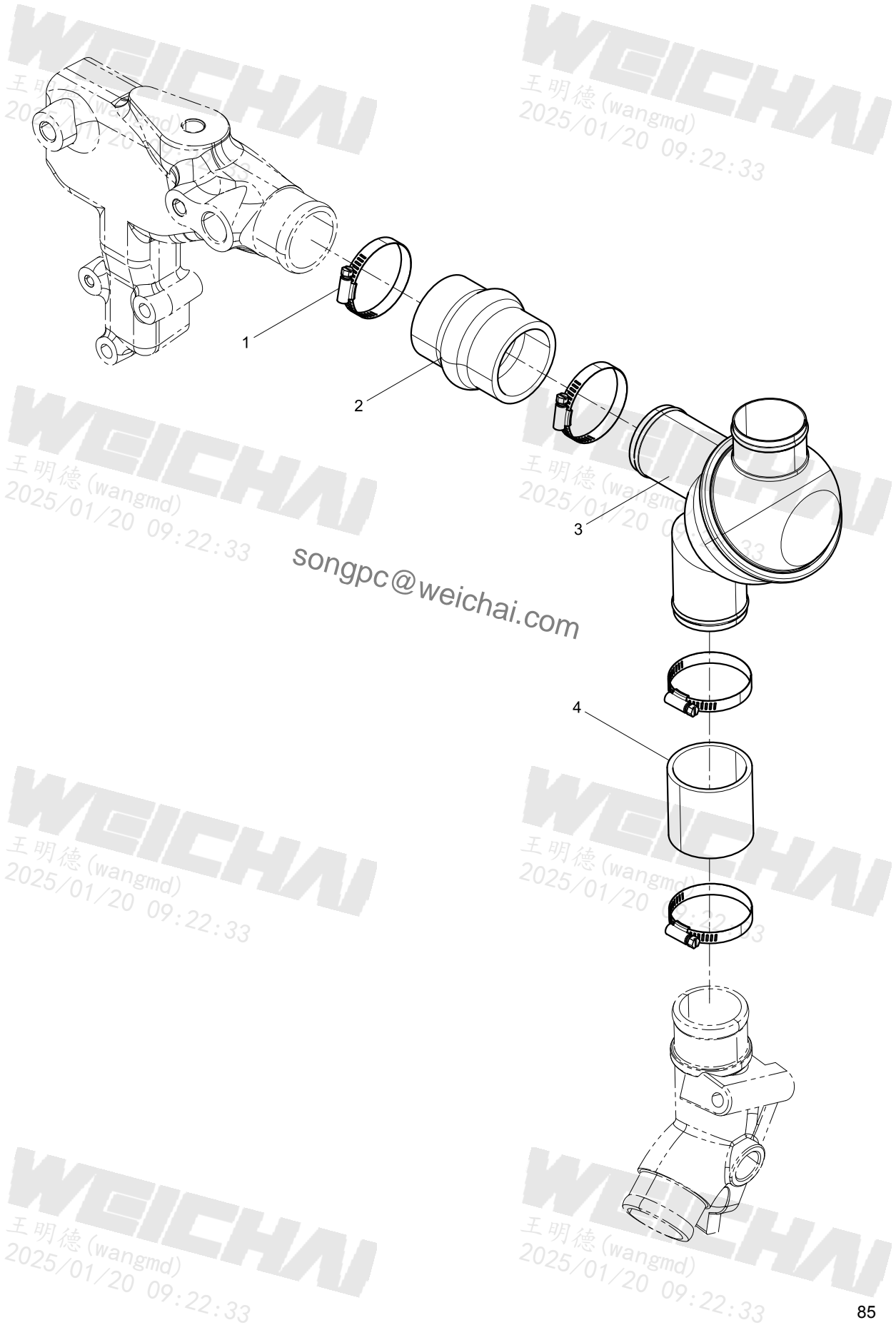
WEICHAI
王明德(wangmd)
2025/01/20 09:22:33

WEICHAI
王明德(wangmd)
2025/01/20 09:22:33

WEICHAI
王明德(wangmd)
2025/01/20 09:22:33

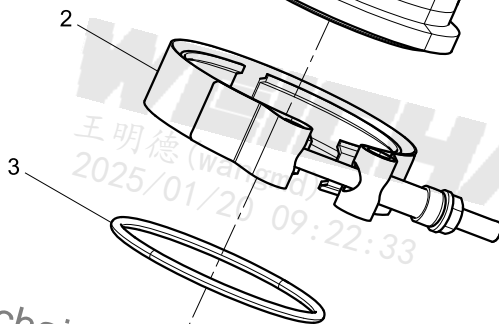
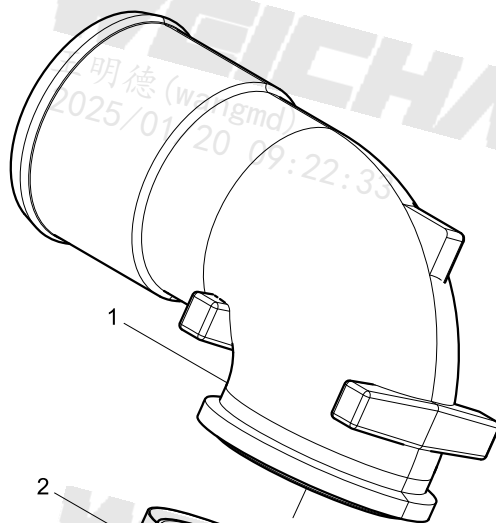


节温器结合组(Thermostat Group)



中冷器结合组(Intercooler Group)

WEICHAI
王明德(wangmd)
2025/01/20 09:22:33



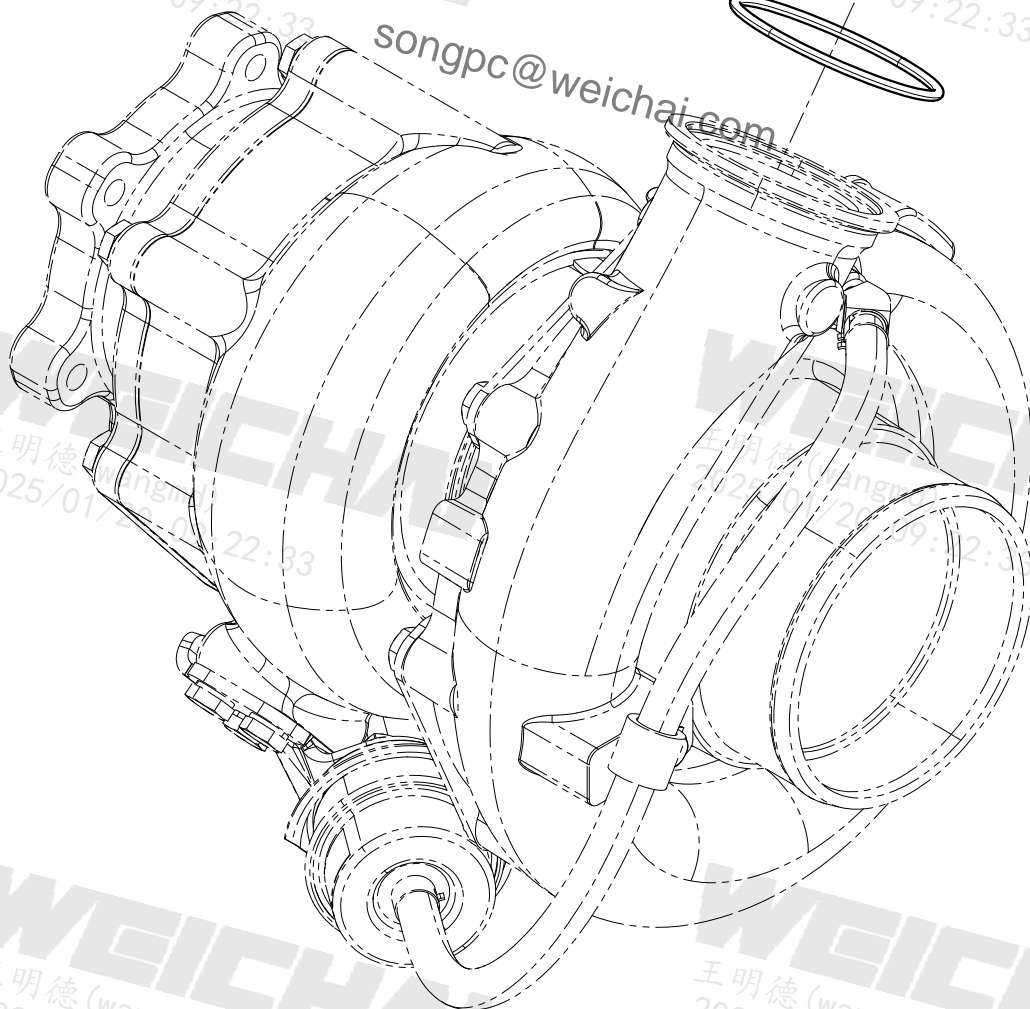
WEICHAI
王明德(wangmd)
2025/01/20 09:22:33

WEICHAI
王明德(wangmd)
2025/01/20 09:22:33

songpc@weichai.com

WEICHAI
王明德(wangmd)
2025/01/20 09:22:33

WEICHAI
王明德(wangmd)
2025/01/20 09:22:33



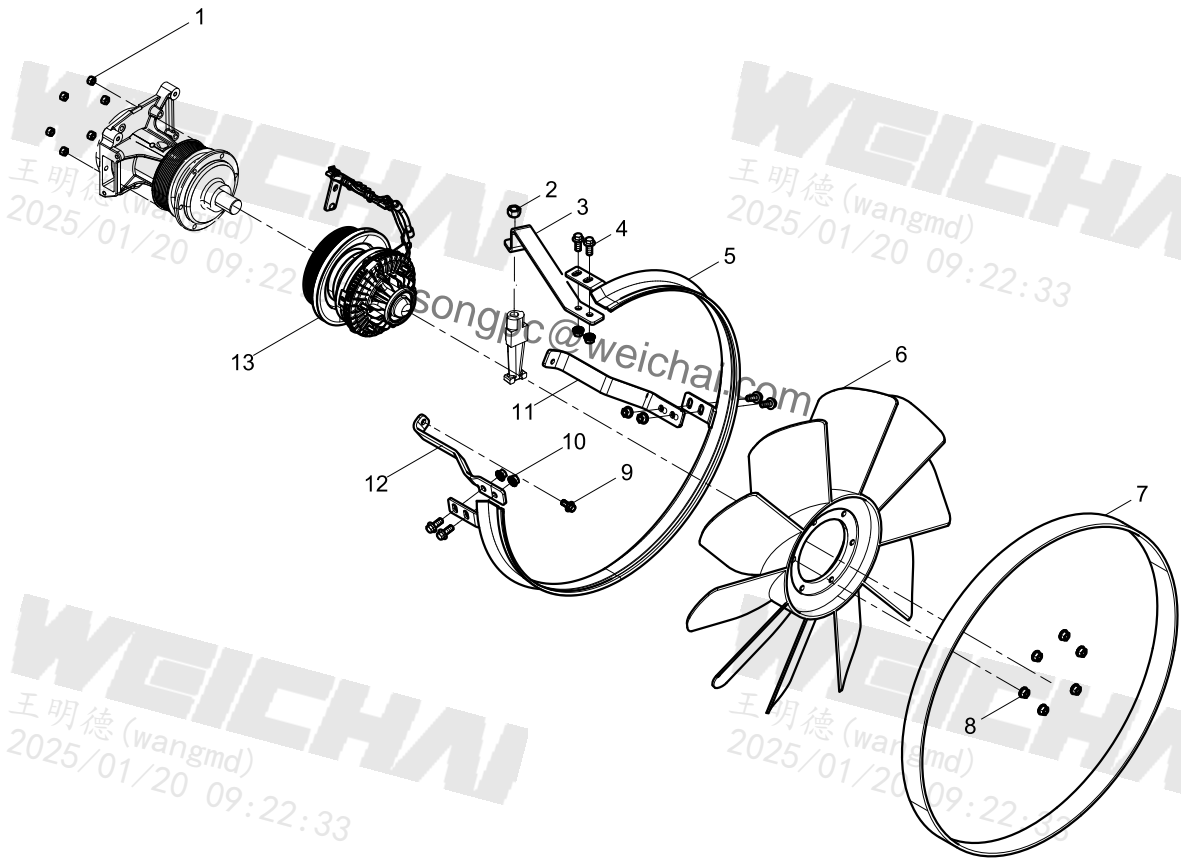
WEICHAI
王明德(wangmd)
2025/01/20 09:22:33

WEICHAI
王明德(wangmd)
2025/01/20 09:22:33

风扇及轮毂结合组(Fan and Hub Group)

WEICHAI
王明德(wangmd)
2025/01/20 09:22:33

WEICHAI
王明德(wangmd)
2025/01/20 09:22:33



WEICHAI
王明德(wangmd)
2025/01/20 09:22:33

WEICHAI
王明德(wangmd)
2025/01/20 09:22:33

WEICHAI
王明德(wangmd)
2025/01/20 09:22:33

WEICHAI
王明德(wangmd)
2025/01/20 09:22:33

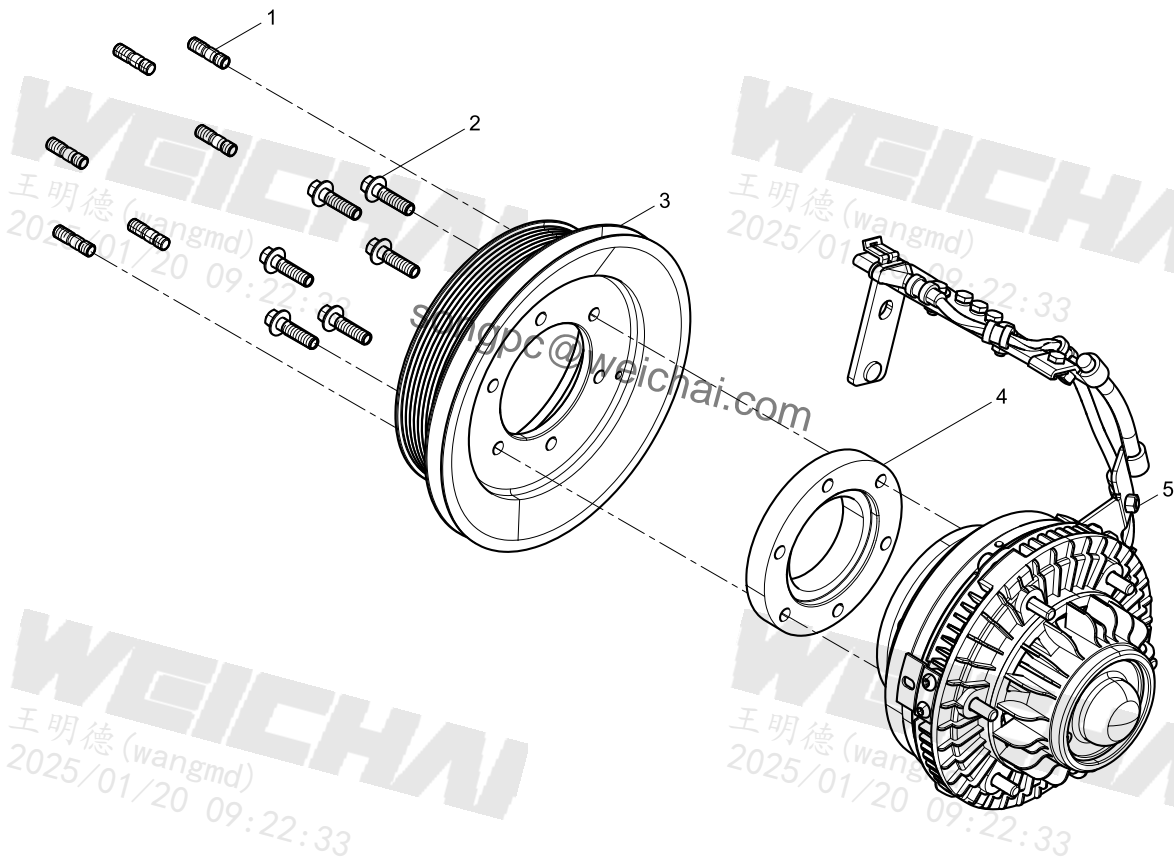
WEICHAI
王明德(wangmd)
2025/01/20 09:22:33

WEICHAI
王明德(wangmd)
2025/01/20 09:22:33

风扇离合器总成(Fan Clutch Assembly)

WEICHAI
王明德(wangmd)
2025/01/20 09:22:33

WEICHAI
王明德(wangmd)
2025/01/20 09:22:33



WEICHAI
王明德(wangmd)
2025/01/20 09:22:33

WEICHAI
王明德(wangmd)
2025/01/20 09:22:33

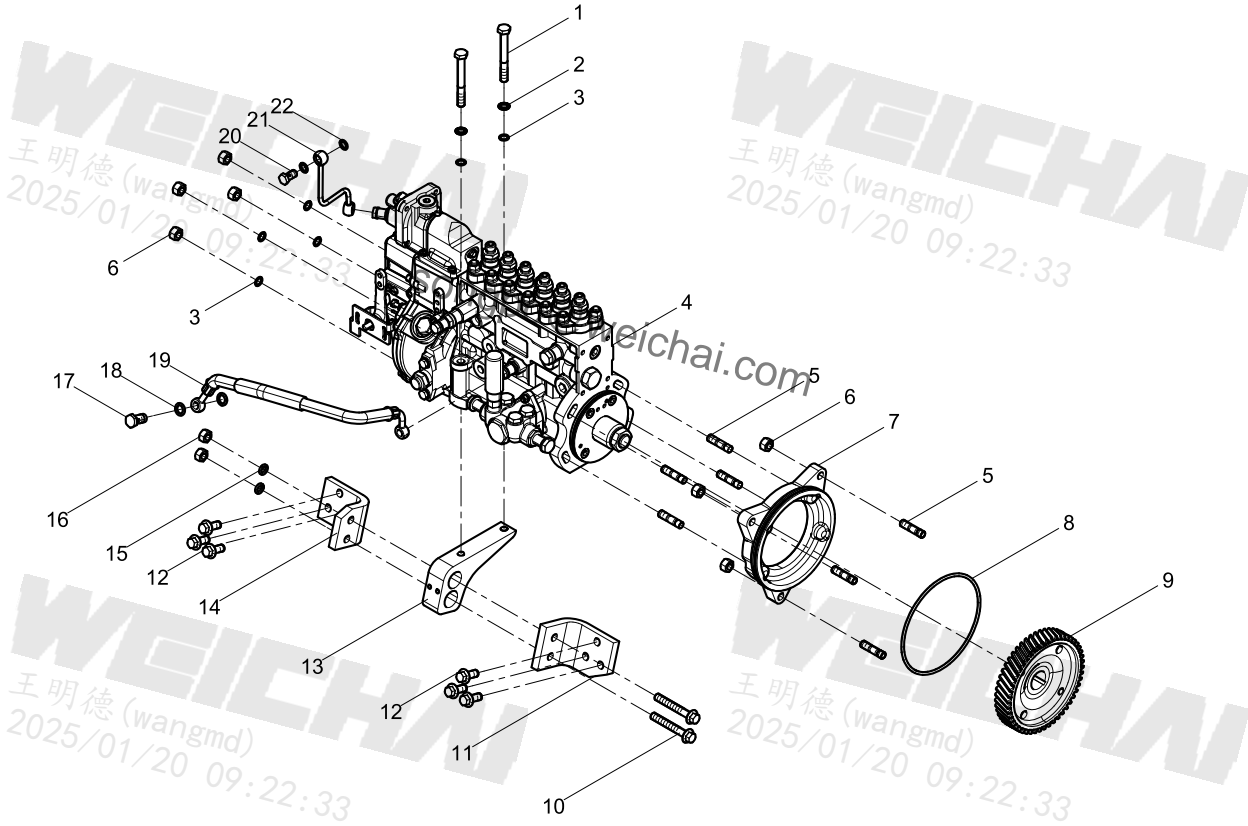
WEICHAI
王明德(wangmd)
2025/01/20 09:22:33

WEICHAI
王明德(wangmd)
2025/01/20 09:22:33

喷油泵结合组(Fuel Injection Pump Group)

WEICHAI
王明德(wangmd)
2025/01/20 09:22:33

WEICHAI
王明德(wangmd)
2025/01/20 09:22:33



WEICHAI
王明德(wangmd)
2025/01/20 09:22:33

WEICHAI
王明德(wangmd)
2025/01/20 09:22:33

喷油泵结合组(Fuel Injection Pump Group)

图序号 Pos.	件号 Part Number	数量 Qty.	中文名称	Part Name
1	90003800579	2	六角头螺栓	Hexagon Head Bolt
2	18872339	2	垫圈	Washer
3	90014040008	6	平垫圈	Plain Washer
4	1002084445	1	喷油泵总成	Fuel Injection Pump Assembly
5	90003813532S	7	双头螺柱	Double End Stud
6	90003888452	7	六角螺母	Hexagon Nut
7	612600083244	1	喷油泵法兰	Fuel Injection Pump Flange
8	612600083245	1	密封圈	Seal Ring
9	612600081529	1	喷油泵齿轮	Fuel Injection Pump Gear
10	90011430013	2	六角法兰面承面带齿螺栓	Hexagon Flange with Tooth Bolt
11	612600080682	1	喷油泵支架	Fuel Injection Pump Support
12	90011430008	6	六角法兰面承面带齿螺栓	Hexagon Flange with Tooth Bolt
13	612600082665	1	喷油泵托架	Fuel Injection Pump Bracket
14	612600080364	1	喷油泵支架	Fuel Injection Pump Support
15	90003931122	2	弹簧垫圈	Spring Washer
16	90003871305	2	六角螺母	Hexagon Nut
17	90003962607	1	铰接螺栓	Gemel Bolt
18	612600080246	2	垫圈	Washer
19	612600081470	1	喷油泵润滑油管总成	Fuel Injection Pump Oil Pipe Assembly
20	90003962612	1	空心螺栓	Hollow bolt
21	612600082529	1	冒烟限制器空气管总成	Smoking Limitator Air Pipe Assembly
22	612600050042	2	密封垫圈	Sealing Washer

喷油器结合组(Fuel Injector Group)

WEICHAI
王明德(wangmd)
2025/01/20 09:22:33

WEICHAI
王明德(wangmd)
2025/01/20 09:22:33

WEICHAI
王明德(wangmd)
2025/01/20 09:22:33

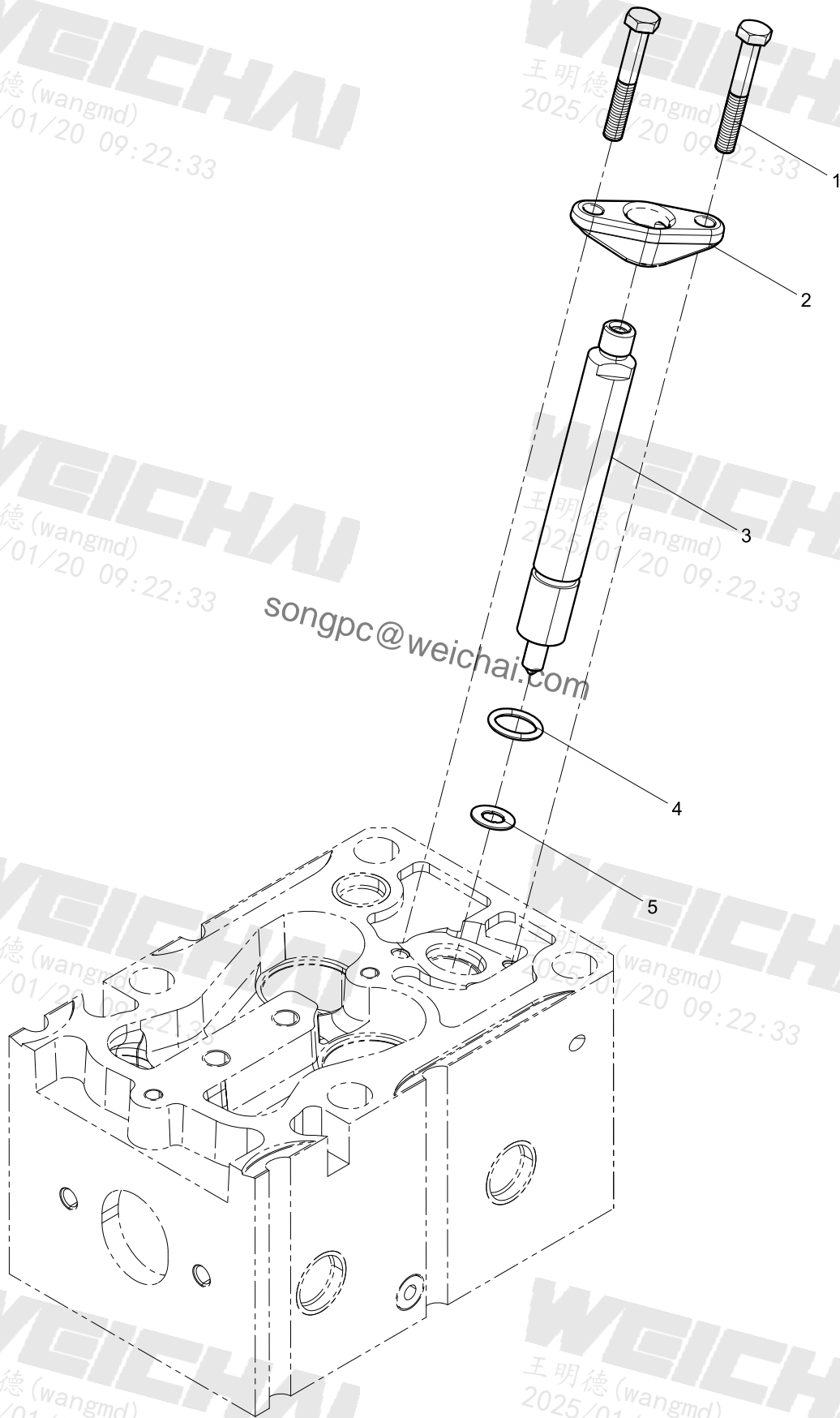
WEICHAI
王明德(wangmd)
2025/01/20 09:22:33

WEICHAI
王明德(wangmd)
2025/01/20 09:22:33

WEICHAI
王明德(wangmd)
2025/01/20 09:22:33

WEICHAI
王明德(wangmd)
2025/01/20 09:22:33

WEICHAI
王明德(wangmd)
2025/01/20 09:22:33



低压油管结合组(Low Pressure Fuel Pipe Group)

WEICHAI
王明德(wangmd)
2025/01/20 09:22:33

WEICHAI
王明德(wangmd)
2025/01/20 09:22:33

WEICHAI
王明德(wangmd)
2025/01/20 09:22:33

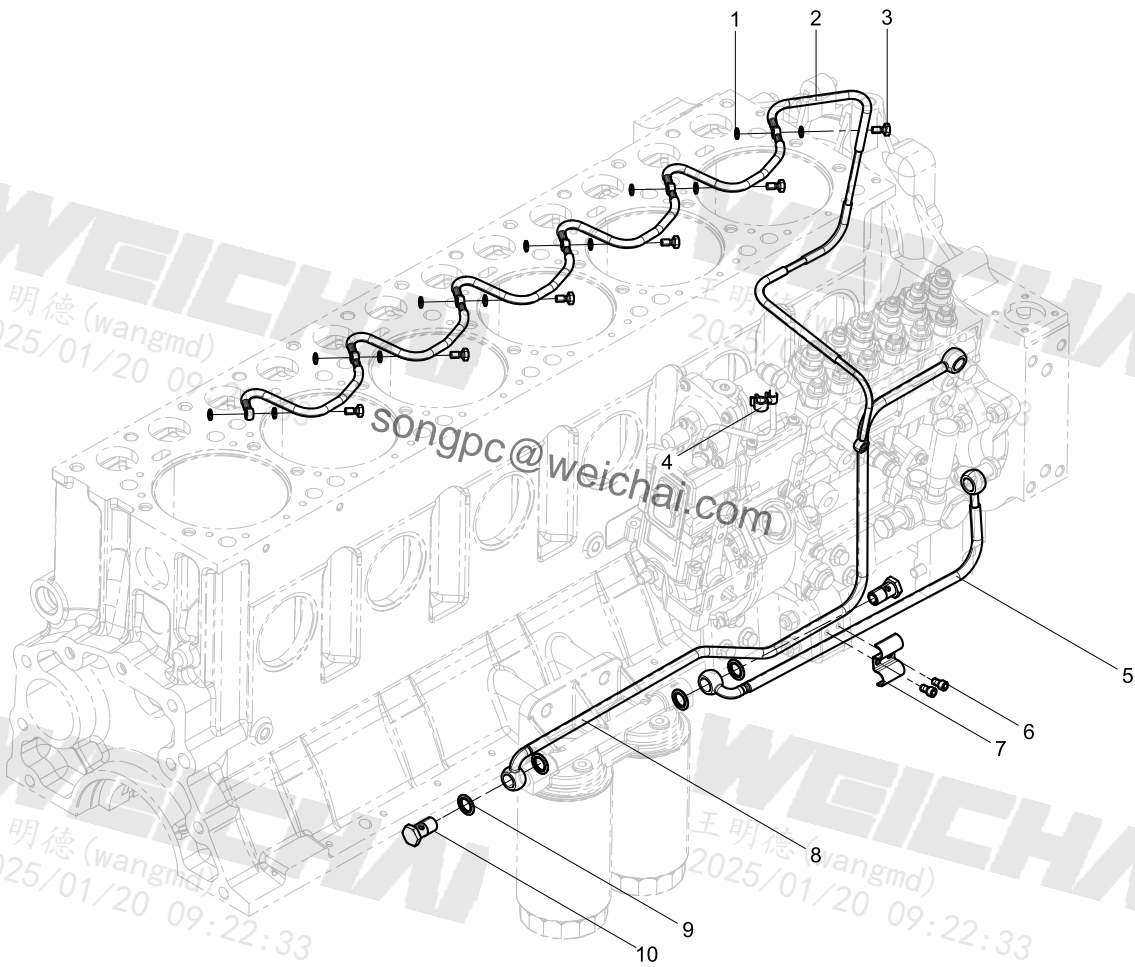
WEICHAI
王明德(wangmd)
2025/01/20 09:22:33

WEICHAI
王明德(wangmd)
2025/01/20 09:22:33

WEICHAI
王明德(wangmd)
2025/01/20 09:22:33

WEICHAI
王明德(wangmd)
2025/01/20 09:22:33

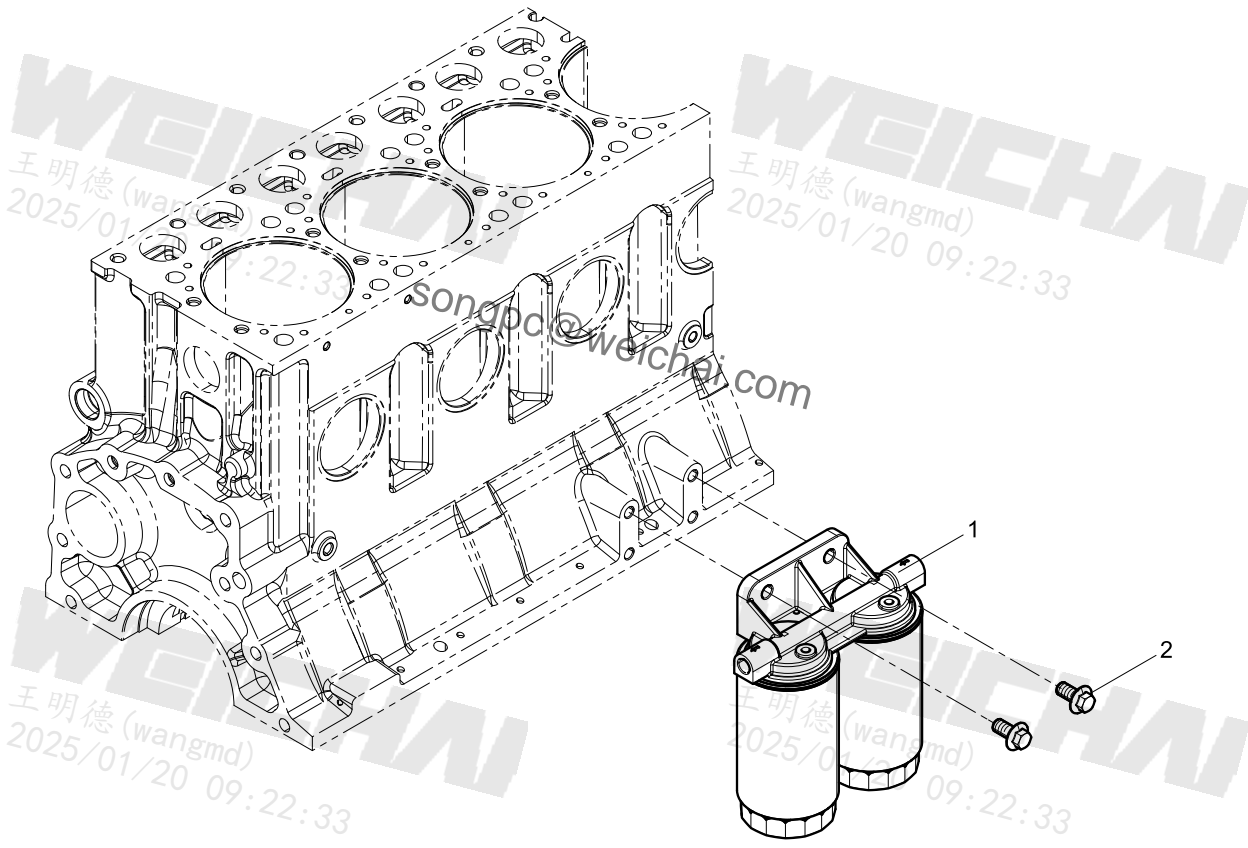
WEICHAI
王明德(wangmd)
2025/01/20 09:22:33



燃油滤清器结合组(Fuel Filter Group)

WEICHAI
王明德(wangmd)
2025/01/20 09:22:33

WEICHAI
王明德(wangmd)
2025/01/20 09:22:33



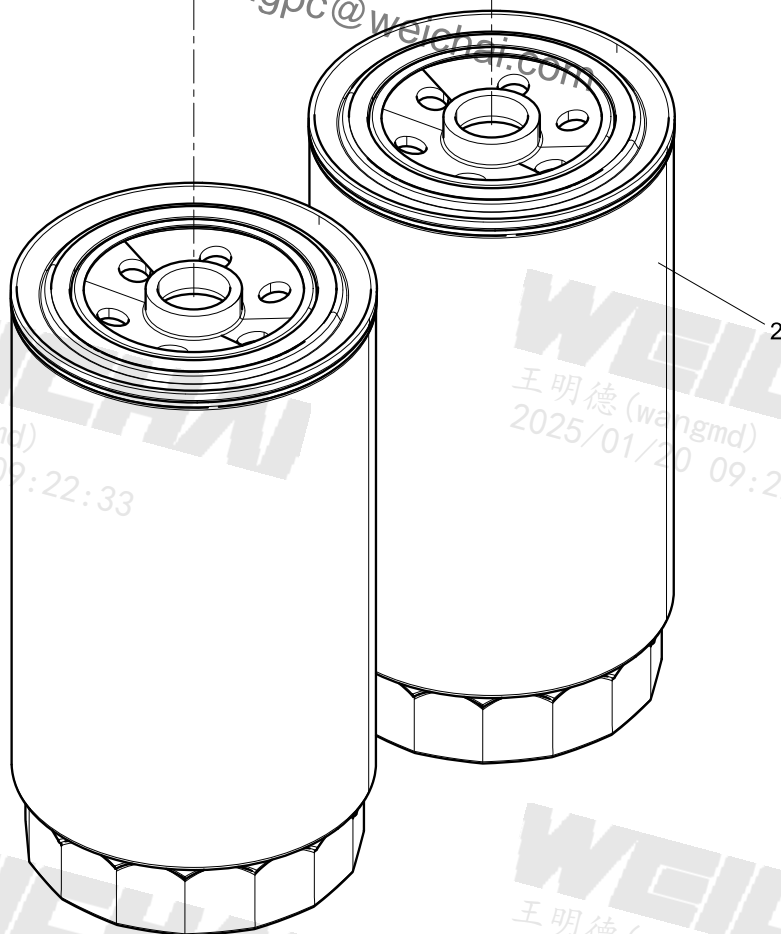
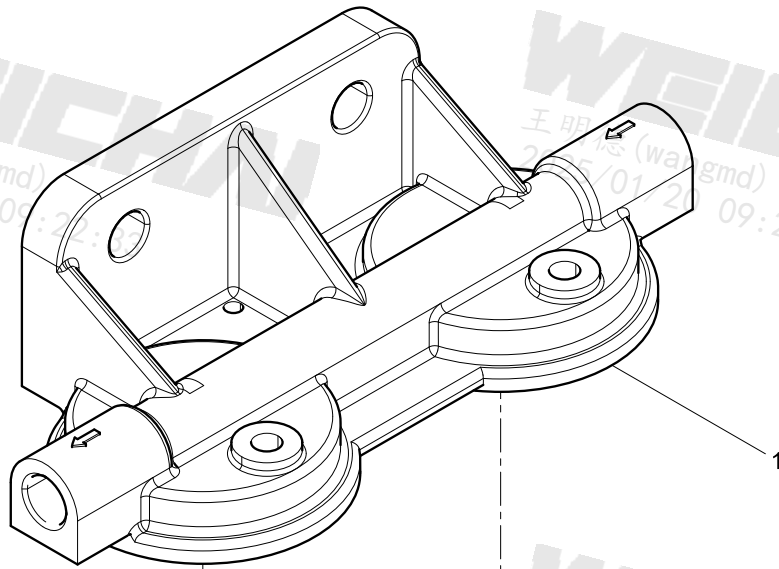
WEICHAI
王明德(wangmd)
2025/01/20 09:22:33

WEICHAI
王明德(wangmd)
2025/01/20 09:22:33

WEICHAI
王明德(wangmd)
2025/01/20 09:22:33

WEICHAI
王明德(wangmd)
2025/01/20 09:22:33

燃油滤清器(Fuel Filter)



高压油管结合组(High Pressure Fuel Pipe Group)

WEICHAI
王明德(wangmd)
2025/01/20 09:22:33

WEICHAI
王明德(wangmd)
2025/01/20 09:22:33

WEICHAI
王明德(wangmd)
2025/01/20 09:22:33

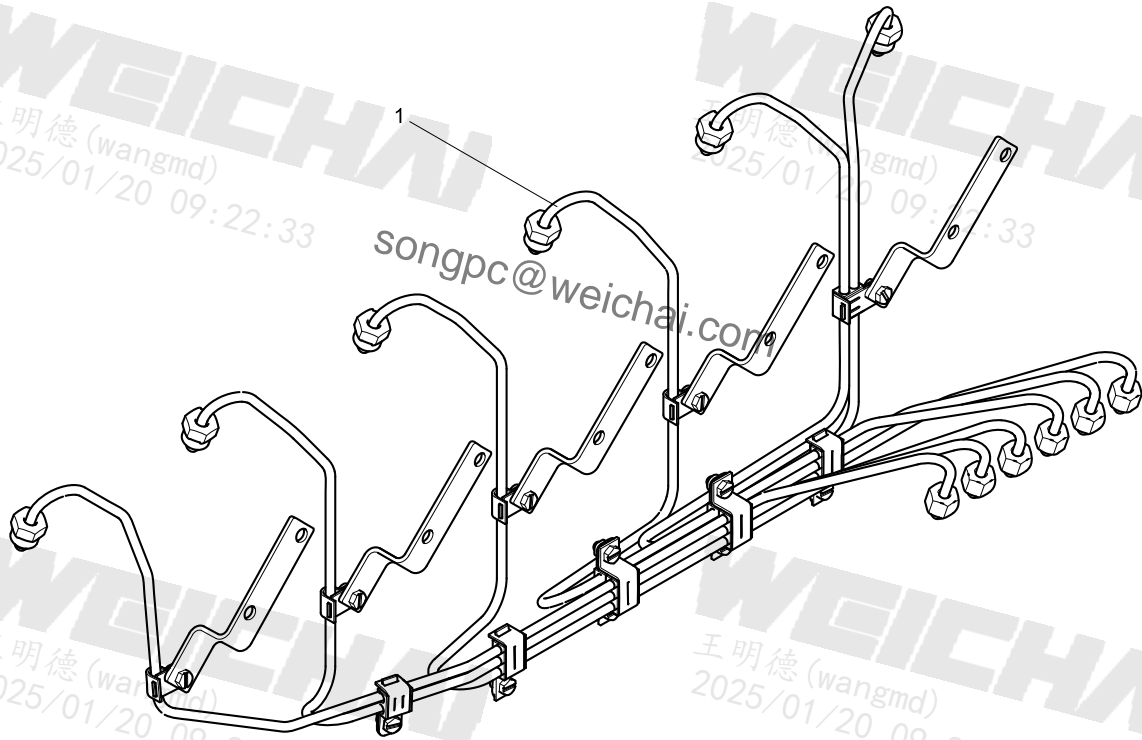
WEICHAI
王明德(wangmd)
2025/01/20 09:22:33

WEICHAI
王明德(wangmd)
2025/01/20 09:22:33

WEICHAI
王明德(wangmd)
2025/01/20 09:22:33

WEICHAI
王明德(wangmd)
2025/01/20 09:22:33

WEICHAI
王明德(wangmd)
2025/01/20 09:22:33



高压油管总成(High-pressure Fuel Pipe Assembly)

WEICHAI
王明德(wangmd)
2025/01/20 09:22:33

WEICHAI
王明德(wangmd)
2025/01/20 09:22:33

WEICHAI
王明德(wangmd)
2025/01/20 09:22:33

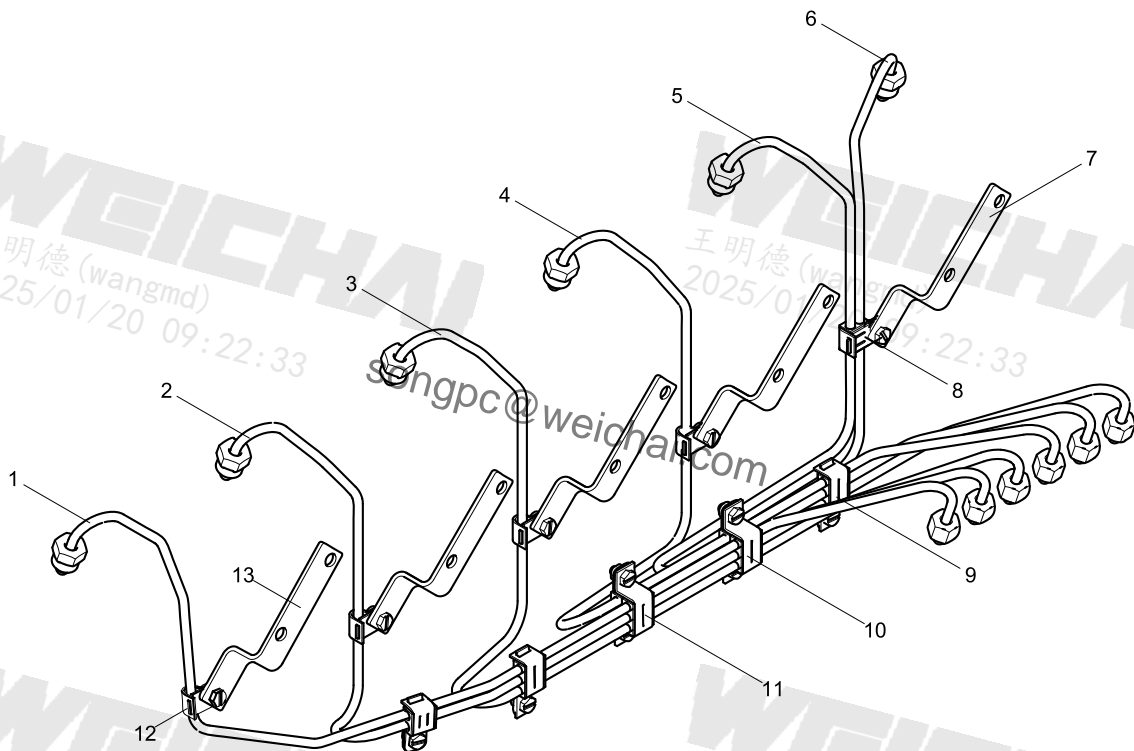
WEICHAI
王明德(wangmd)
2025/01/20 09:22:33

WEICHAI
王明德(wangmd)
2025/01/20 09:22:33

WEICHAI
王明德(wangmd)
2025/01/20 09:22:33

WEICHAI
王明德(wangmd)
2025/01/20 09:22:33

WEICHAI
王明德(wangmd)
2025/01/20 09:22:33



进气管结合组(Intake Manifold Group)

WEICHAI
王明德(wangmd)
2025/01/20 09:22:33

WEICHAI
王明德(wangmd)
2025/01/20 09:22:33

WEICHAI
王明德(wangmd)
2025/01/20 09:22:33

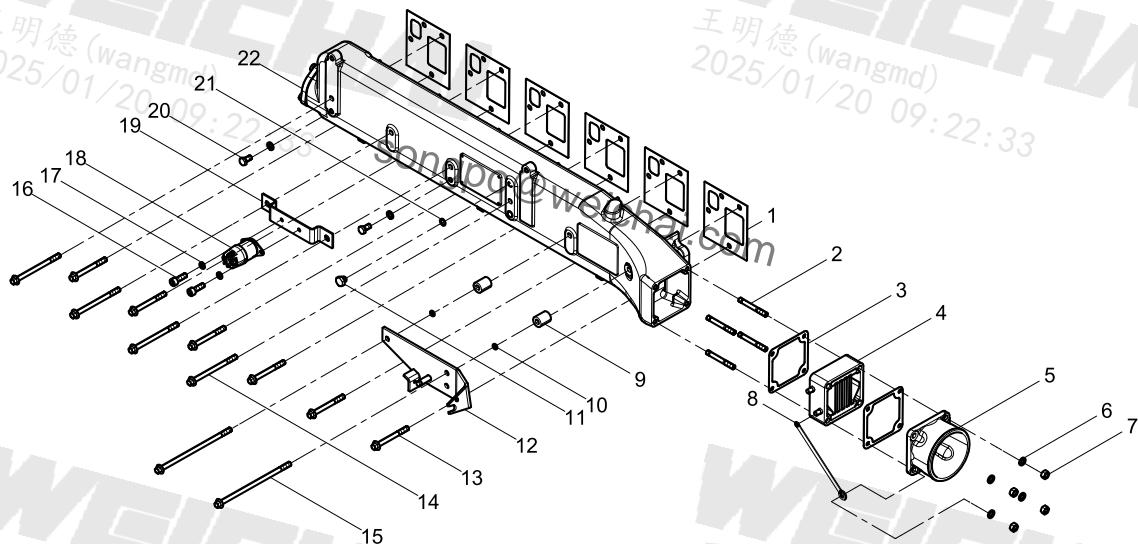
WEICHAI
王明德(wangmd)
2025/01/20 09:22:33

WEICHAI
王明德(wangmd)
2025/01/20 09:22:33

WEICHAI
王明德(wangmd)
2025/01/20 09:22:33

WEICHAI
王明德(wangmd)
2025/01/20 09:22:33

WEICHAI
王明德(wangmd)
2025/01/20 09:22:33



进气管结合组(Intake Manifold Group)

图序号 Pos.	件号 Part Number	数量 Qty.	中文名称	Part Name
1	1001341782	6	进气管垫片	Intake Manifold Gasket
2	90003813470	4	双头螺柱	Double End Stud
3	612630120002	2	垫片	Gasket
4	612630120003	1	加热器	Heater
5	612600111755	1	进气接管	Intake Connecting Pipe
6	90003932023	6	波形弹性垫圈	Wave Spring Washer
7	90003871252	4	六角螺母	Hexagon Nut
8	612600081782	1	预热系统线束	Preheating Harness
9	612600110771	2	垫块	Pad
10	90003098008	2	密封垫圈	Sealing Washer
11	90003962014	1	六角头螺塞	Hexagon Screw Plug
12	612600114804	1	油门软轴支架	Accelerator Cable Bracket
13	612600114858	6	六角法兰面螺栓	Hexagon Flange Bolt
14	612600114467	4	六角法兰面螺栓	Hexagon Flange Bolt
15	612600114470	2	六角法兰面螺栓	Hexagon Flange Bolt
16	90013050033	2	内六角圆柱头螺钉	Inner Hexagon Socket Head Cap Screw
17	90014350002	2	弹簧垫圈	Spring Washer
18	612630080076	1	继电器	Relay
19	612600114015	1	支架	Bracket
20	90003802415	2	六角头螺栓	Hexagon Head Bolt
21	90003098010	1	密封垫圈	Sealing Washer
22	612600115467	1	进气管总成	Intake Manifold Assembly

进气管总成(Intake Manifold Assembly)

WEICHAI
王明德(wangmd)
2025/01/20 09:22:33

WEICHAI
王明德(wangmd)
2025/01/20 09:22:33

WEICHAI
王明德(wangmd)
2025/01/20 09:22:33

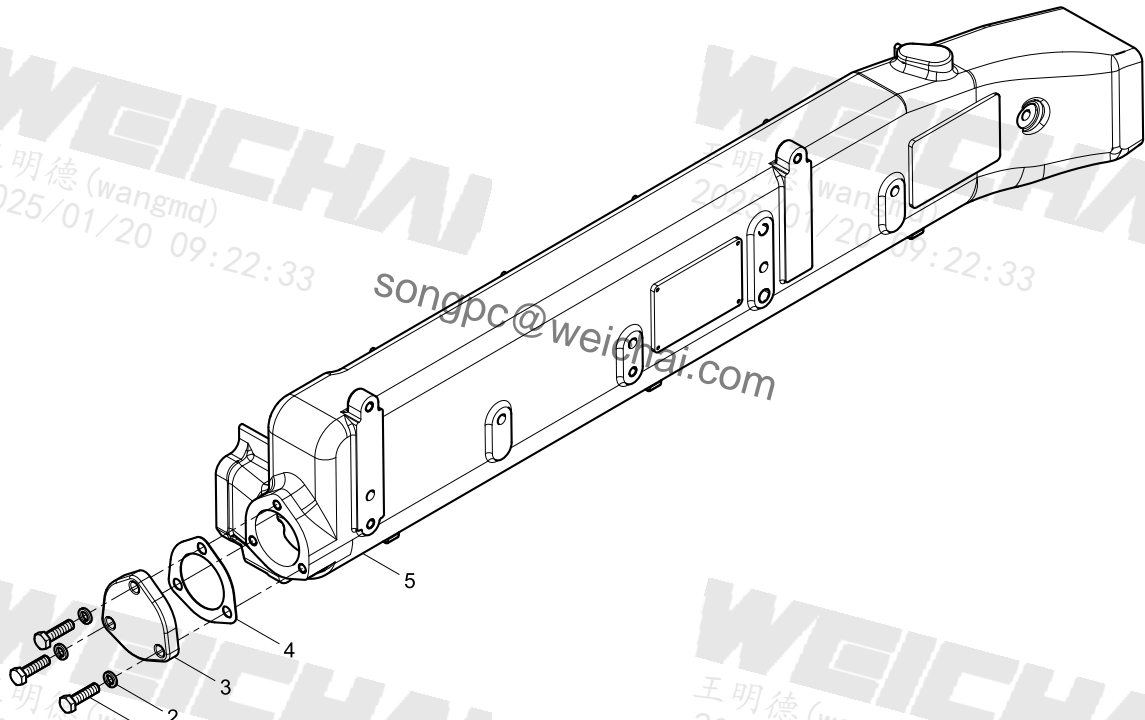
WEICHAI
王明德(wangmd)
2025/01/20 09:22:33

WEICHAI
王明德(wangmd)
2025/01/20 09:22:33

WEICHAI
王明德(wangmd)
2025/01/20 09:22:33

WEICHAI
王明德(wangmd)
2025/01/20 09:22:33

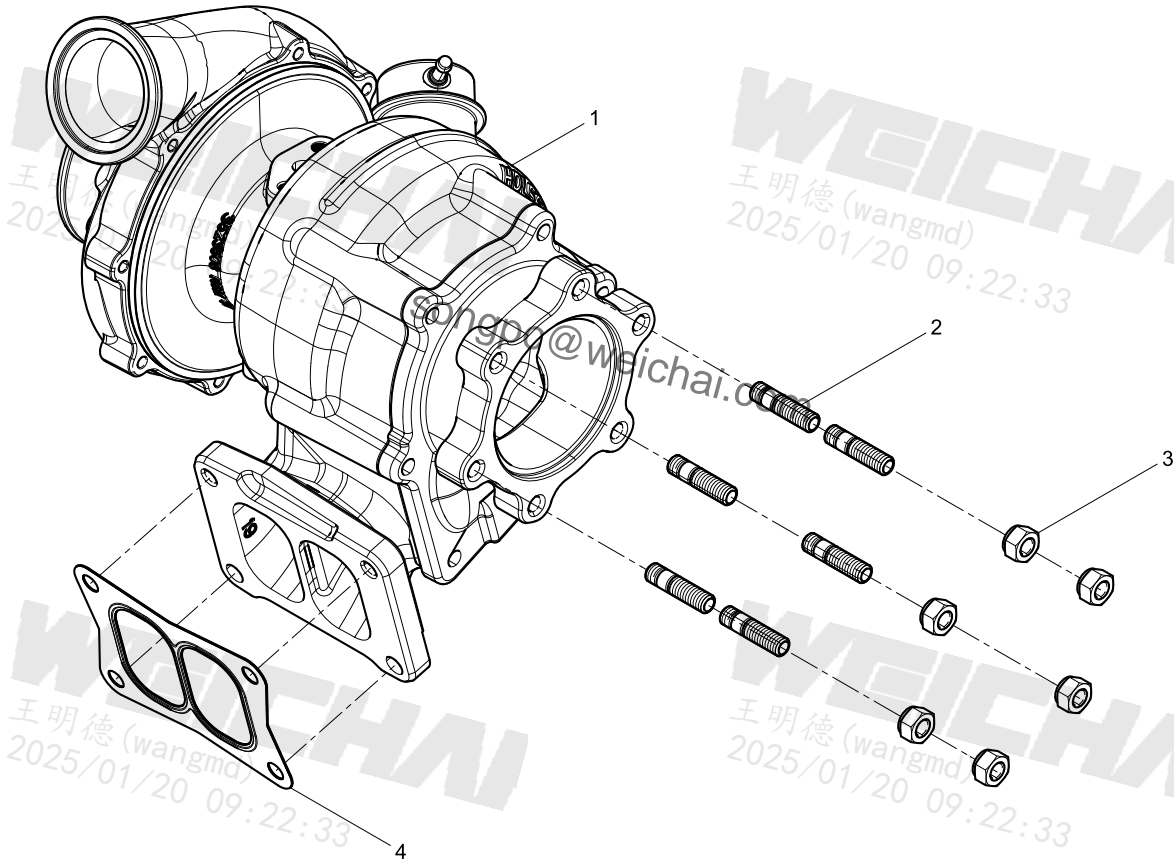
WEICHAI
王明德(wangmd)
2025/01/20 09:22:33



增压器结合组(Turbocharger Group)

WEICHAI
王明德(wangmd)
2025/01/20 09:22:33

WEICHAI
王明德(wangmd)
2025/01/20 09:22:33



WEICHAI
王明德(wangmd)
2025/01/20 09:22:33

WEICHAI
王明德(wangmd)
2025/01/20 09:22:33

WEICHAI
王明德(wangmd)
2025/01/20 09:22:33

WEICHAI
王明德(wangmd)
2025/01/20 09:22:33

增压器润滑油管结合组(Turbocharger Oil Pipe Group)

WEICHAI
王明德(wangmd)
2025/01/20 09:22:33

WEICHAI
王明德(wangmd)
2025/01/20 09:22:33

WEICHAI
王明德(wangmd)
2025/01/20 09:22:33

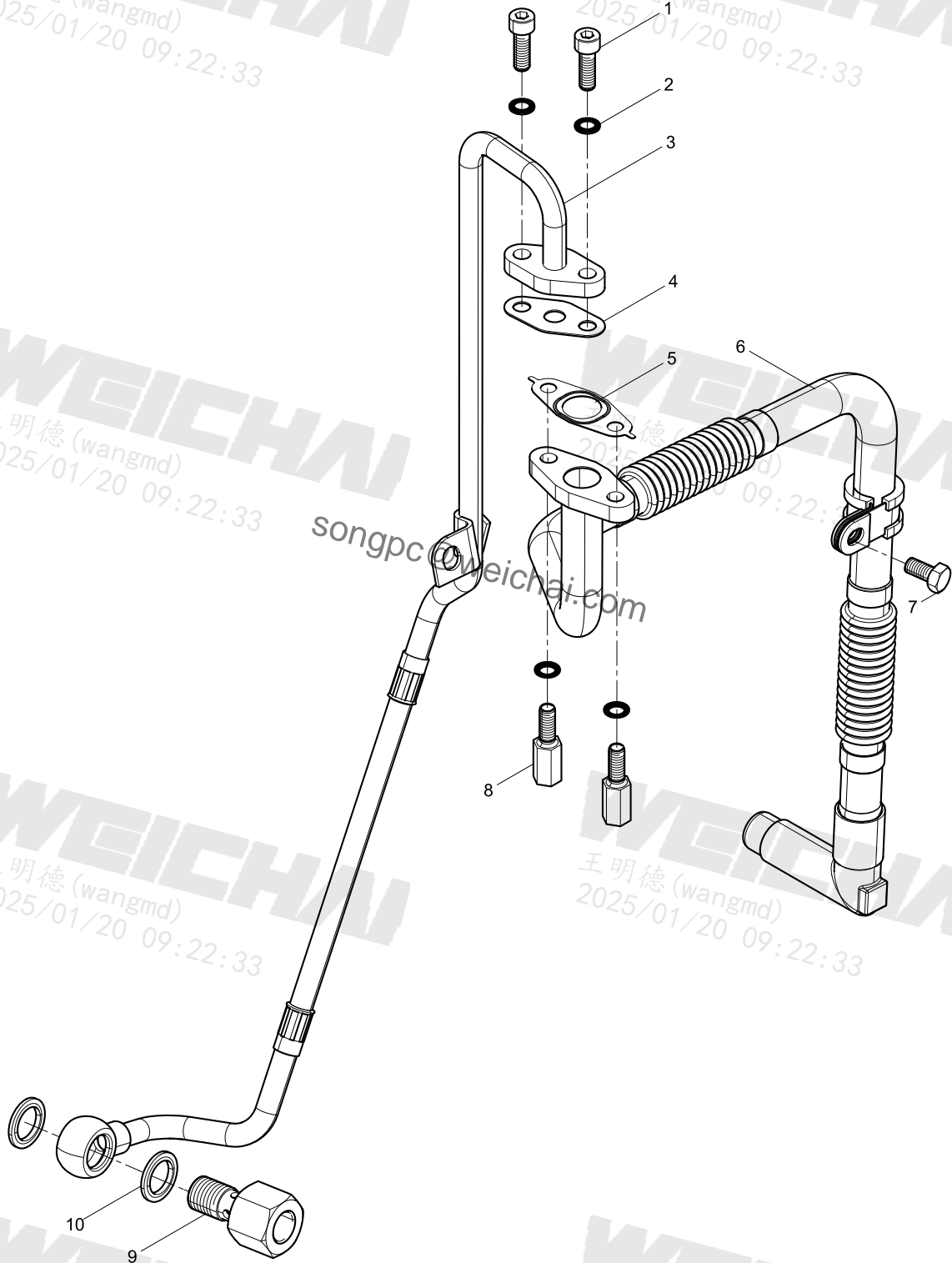
WEICHAI
王明德(wangmd)
2025/01/20 09:22:33

WEICHAI
王明德(wangmd)
2025/01/20 09:22:33

WEICHAI
王明德(wangmd)
2025/01/20 09:22:33

WEICHAI
王明德(wangmd)
2025/01/20 09:22:33

WEICHAI
王明德(wangmd)
2025/01/20 09:22:33



排气管结合组(Exhaust Manifold Group)

WEICHAI
王明德(wangmd)
2025/01/20 09:22:33

WEICHAI
王明德(wangmd)
2025/01/20 09:22:33

WEICHAI
王明德(wangmd)
2025/01/20 09:22:33

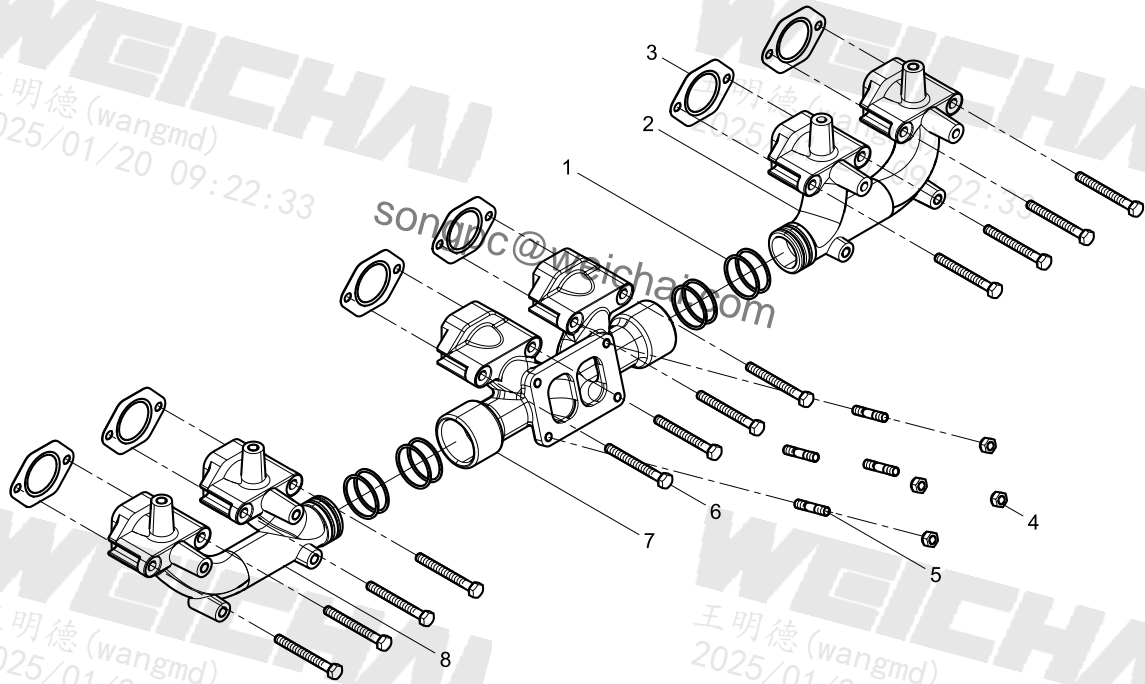
WEICHAI
王明德(wangmd)
2025/01/20 09:22:33

WEICHAI
王明德(wangmd)
2025/01/20 09:22:33

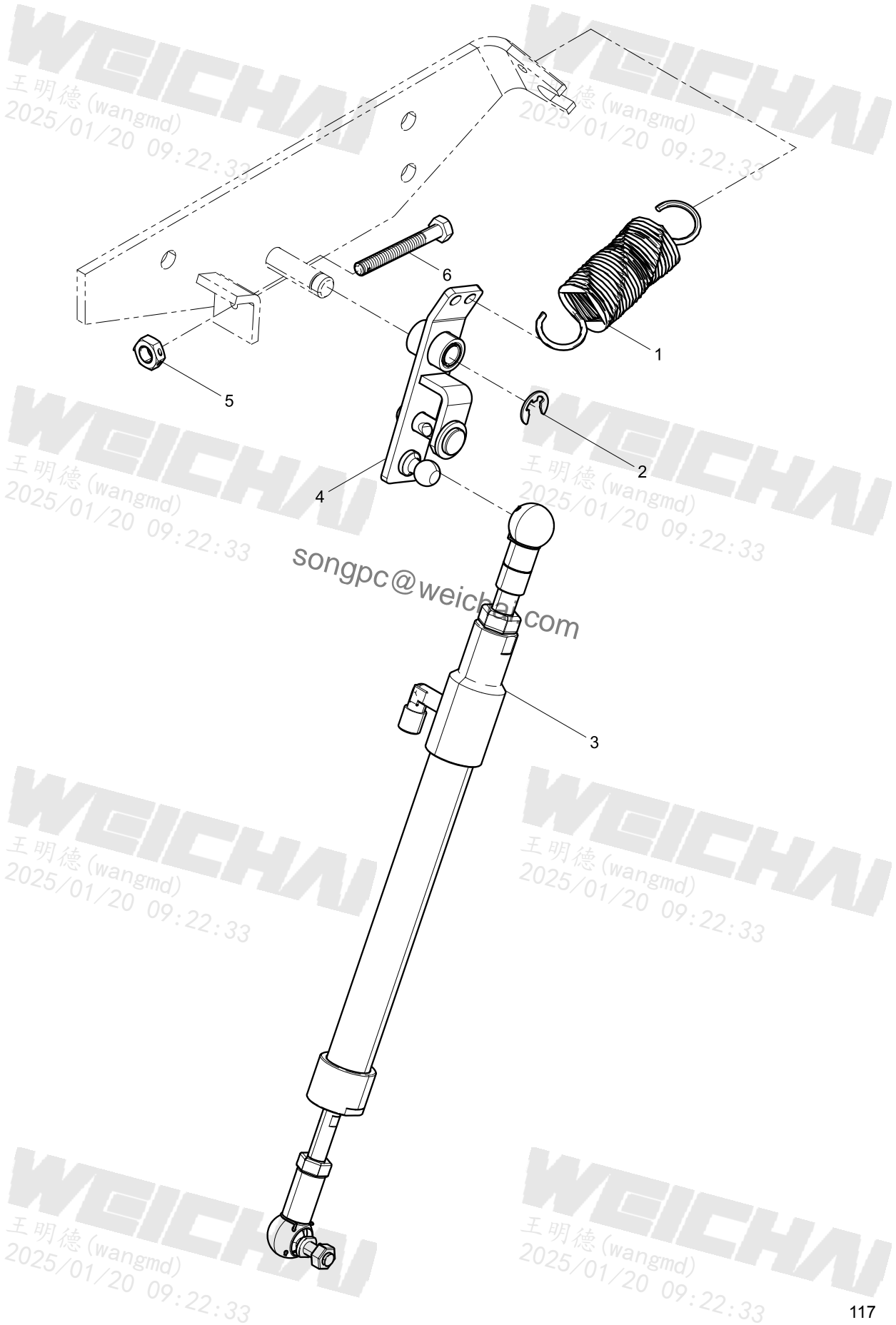
WEICHAI
王明德(wangmd)
2025/01/20 09:22:33

WEICHAI
王明德(wangmd)
2025/01/20 09:22:33

WEICHAI
王明德(wangmd)
2025/01/20 09:22:33



停车装置结合组(Shut-down Device Group)



空压机结合组(Air Compressor Group)

WEICHAI
王明德(wangmd)
2025/01/20 09:22:33

WEICHAI
王明德(wangmd)
2025/01/20 09:22:33

WEICHAI
王明德(wangmd)
2025/01/20 09:22:33

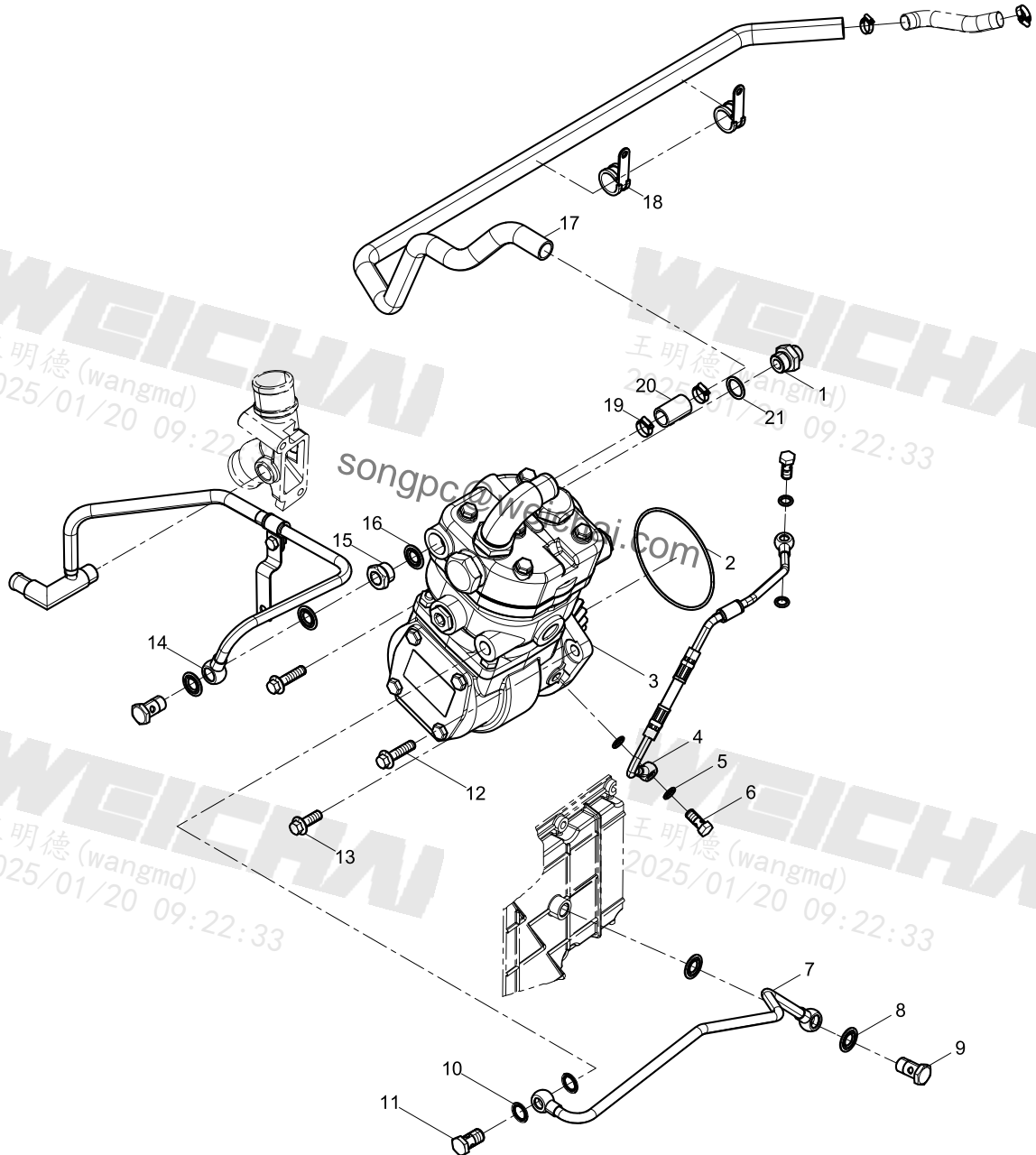
WEICHAI
王明德(wangmd)
2025/01/20 09:22:33

WEICHAI
王明德(wangmd)
2025/01/20 09:22:33

WEICHAI
王明德(wangmd)
2025/01/20 09:22:33

WEICHAI
王明德(wangmd)
2025/01/20 09:22:33

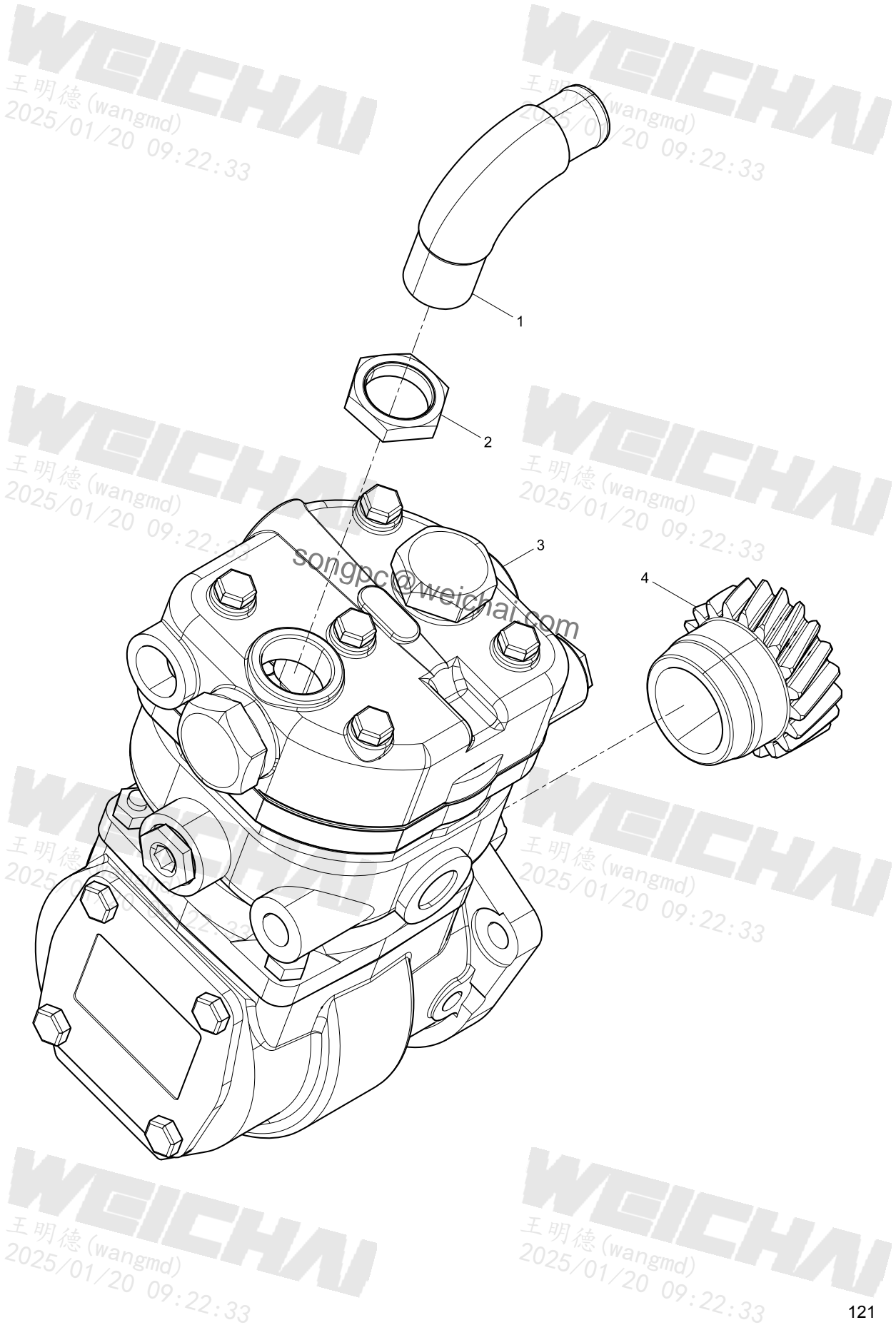
WEICHAI
王明德(wangmd)
2025/01/20 09:22:33



空压机结合组(Air Compressor Group)

图序号 Pos.	件号 Part Number	数量 Qty.	中文名称	Part Name
1	612600130275	1	管接头	Pipe Joint
2	30800010003	1	密封圈	Seal Ring
3	1002090710	1	空压机总成	Air Compressor Assembly
4	612600130326	1	空压机润滑油管总成	Air Compressor Oil Pipe Assembly
5	13057039	4	组合密封垫圈	Assembled Sealing Washer
6	612639000047	2	螺栓	Bolt
7	612600130759	1	空压机水管总成	Air Compressor Water Pipe Assembly
8	13023361	4	组合密封垫圈	Assembled Sealing Washer
9	90003962627	2	空心螺栓	Hollow bolt
10	612600080200	2	垫圈	Washer
11	90003962621	1	铰接螺栓	Gemel Bolt
12	90011430032	2	六角法兰面承面带齿螺栓	Hexagon Flange with Tooth Bolt
13	90011430017S	1	六角法兰面承面带齿螺栓	Hexagon Flange with Tooth Bolt
14	612600130355	1	空压机水管总成	Air Compressor Water Pipe Assembly
15	1004572649	1	接头体	Joint Body
16	13023364	1	组合密封垫圈	Assembled Sealing Washer
17	612600130653	1	空压机进气管	Air compressor Air-inlet Pipe
18	612600112639	2	管夹总成	Pipe Clamp Assembly
19	90003989301	4	卡箍	Clamp
20	612630060017	1	油路连接胶管	Oil Connecting Rubber Pipe
21	612600130037	1	垫圈	Washer

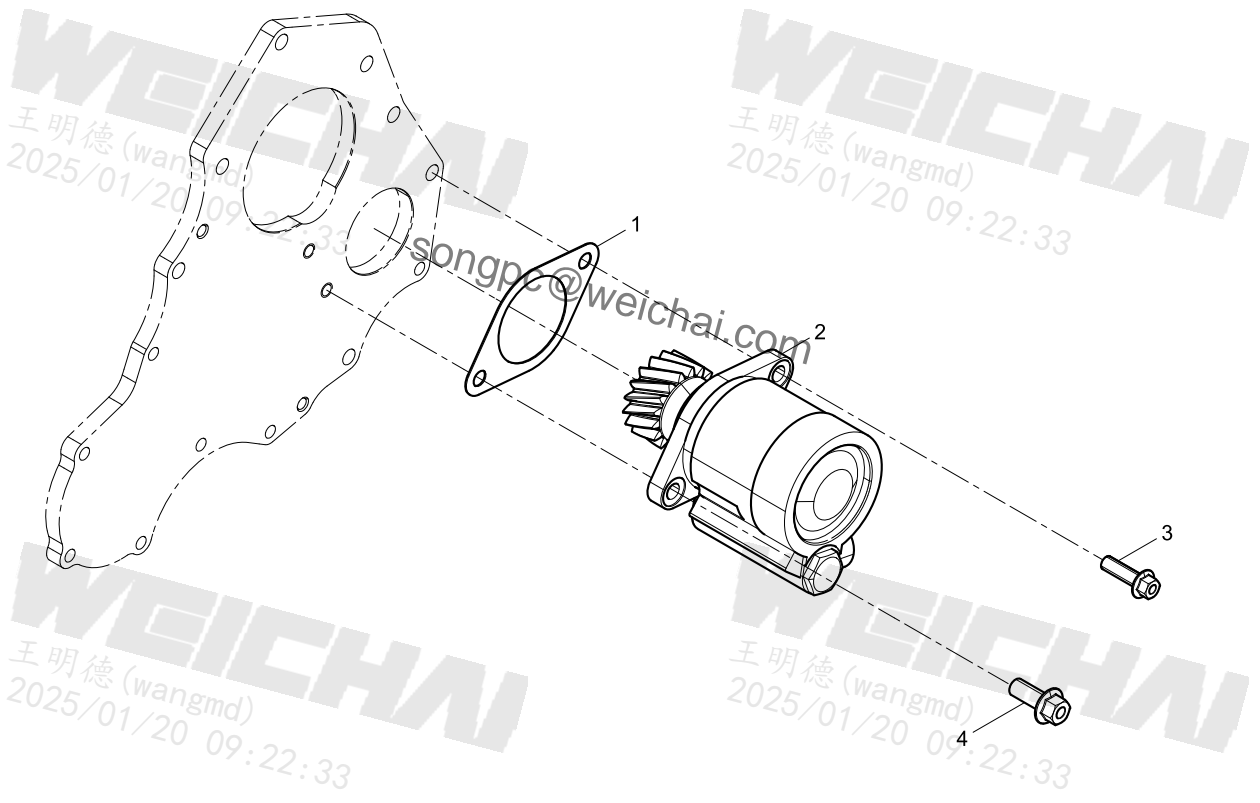
空压机总成(Air Compressor Assembly)



液压泵结合组(Hydraulic Pump Group)

WEICHAI
王明德(wangmd)
2025/01/20 09:22:33

WEICHAI
王明德(wangmd)
2025/01/20 09:22:33



WEICHAI
王明德(wangmd)
2025/01/20 09:22:33

WEICHAI
王明德(wangmd)
2025/01/20 09:22:33

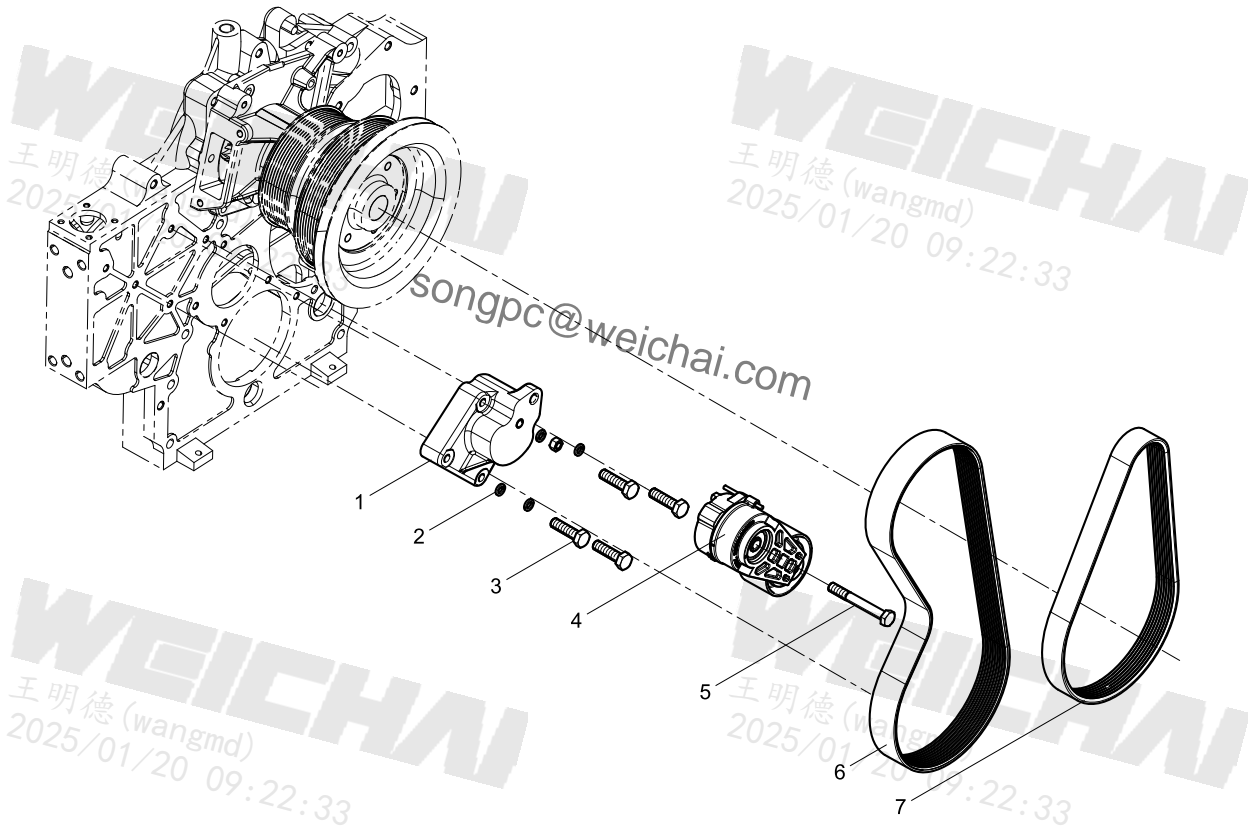
WEICHAI
王明德(wangmd)
2025/01/20 09:22:33

WEICHAI
王明德(wangmd)
2025/01/20 09:22:33

张紧轮及皮带结合组(Tensioner And Belt Group)

WEICHAI
王明德(wangmd)
2025/01/20 09:22:33

WEICHAI
王明德(wangmd)
2025/01/20 09:22:33



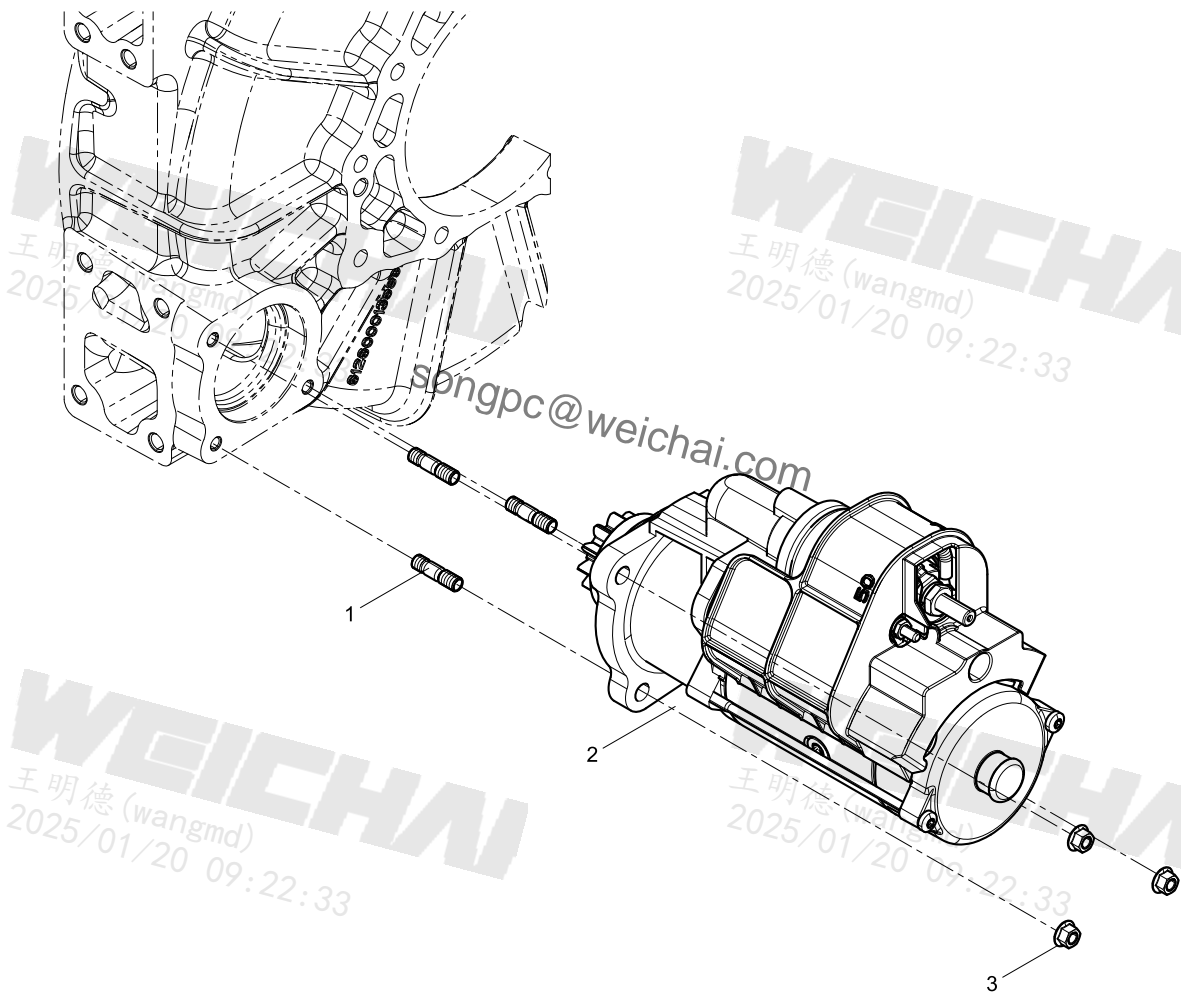
WEICHAI
王明德(wangmd)
2025/01/20 09:22:33

WEICHAI
王明德(wangmd)
2025/01/20 09:22:33

起动机结合组(Starter Motor Group)

WEICHAI
王明德(wangmd)
2025/01/20 09:22:33

WEICHAI
王明德(wangmd)
2025/01/20 09:22:33



WEICHAI
王明德(wangmd)
2025/01/20 09:22:33

WEICHAI
王明德(wangmd)
2025/01/20 09:22:33

WEICHAI
王明德(wangmd)
2025/01/20 09:22:33

WEICHAI
王明德(wangmd)
2025/01/20 09:22:33

零件箱结合组(Parts Kit Group)

WEICHAI
王明德(wangmd)
2025/01/20 09:22:33

WEICHAI
王明德(wangmd)
2025/01/20 09:22:33

WEICHAI
王明德(wangmd)
2025/01/20 09:22:33

WEICHAI
王明德(wangmd)
2025/01/20 09:22:33

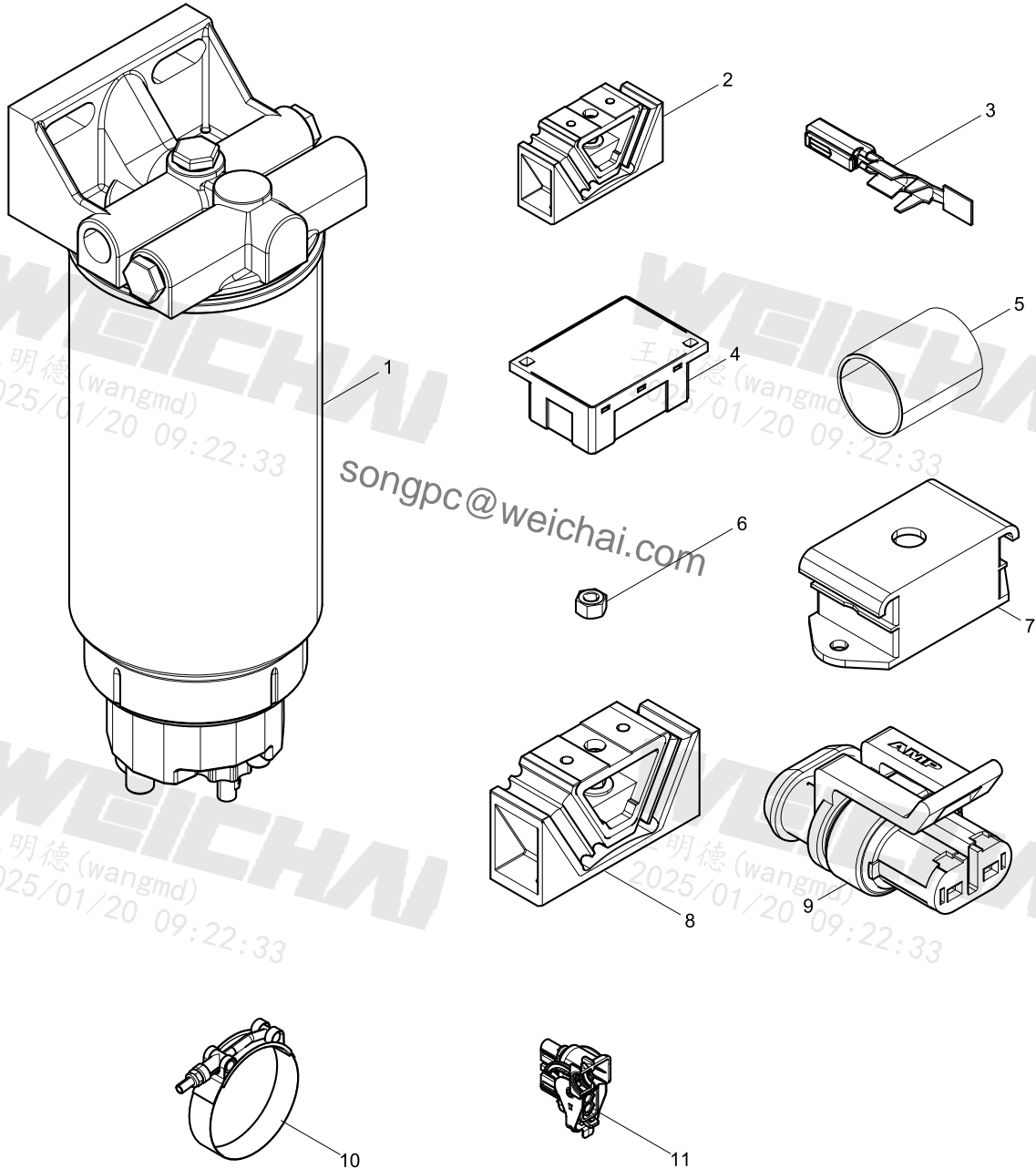
WEICHAI
王明德(wangmd)
2025/01/20 09:22:33

WEICHAI
王明德(wangmd)
2025/01/20 09:22:33

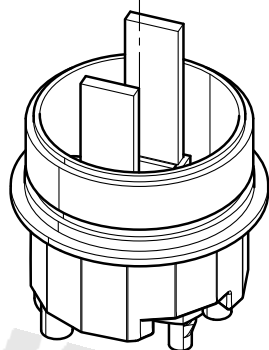
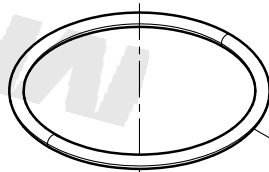
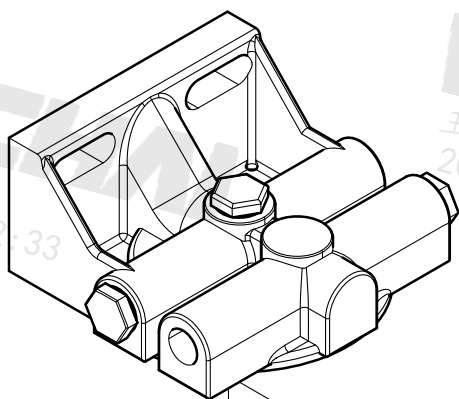
WEICHAI
王明德(wangmd)
2025/01/20 09:22:33

WEICHAI
王明德(wangmd)
2025/01/20 09:22:33

songpc@weichai.com



燃油滤清器(Fuel Filter)



接插件(Connector)

WEICHAI
王明德(wangmd)
2025/01/20 09:22:33

WEICHAI
王明德(wangmd)
2025/01/20 09:22:33

WEICHAI
王明德(wangmd)
2025/01/20 09:22:33

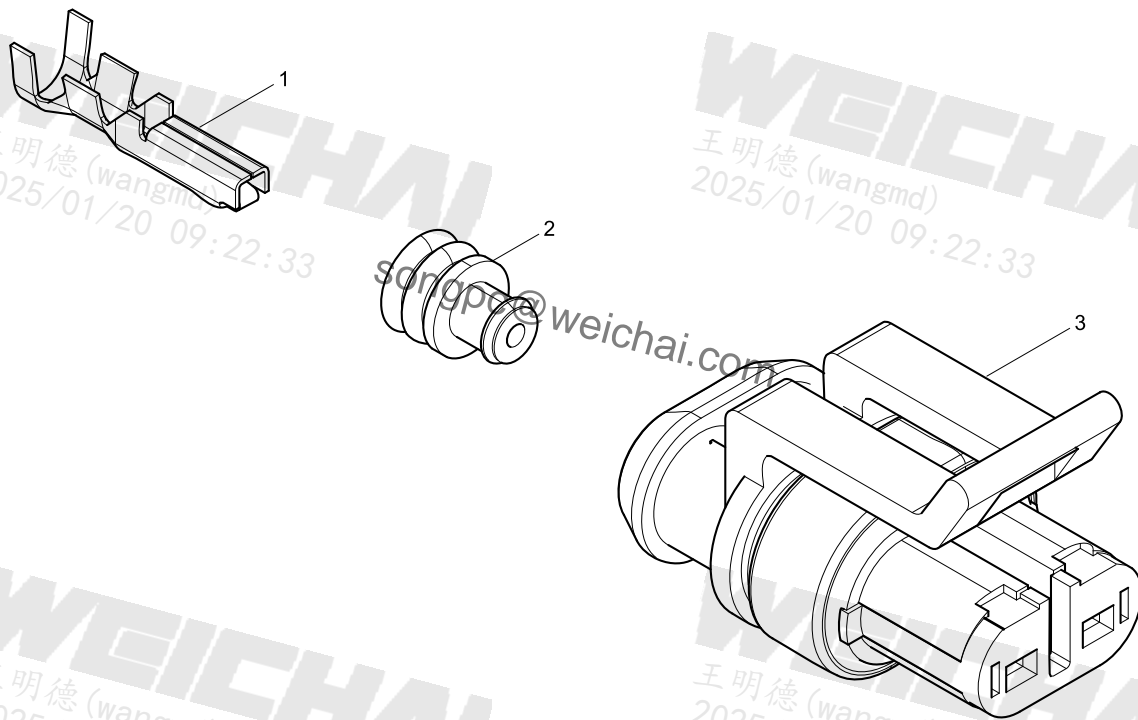
WEICHAI
王明德(wangmd)
2025/01/20 09:22:33

WEICHAI
王明德(wangmd)
2025/01/20 09:22:33

WEICHAI
王明德(wangmd)
2025/01/20 09:22:33

WEICHAI
王明德(wangmd)
2025/01/20 09:22:33

WEICHAI
王明德(wangmd)
2025/01/20 09:22:33



接插件(Connector)

WEICHAI
王明德(wangmd)
2025/01/20 09:22:33

WEICHAI
王明德(wangmd)
2025/01/20 09:22:33

WEICHAI
王明德(wangmd)
2025/01/20 09:22:33

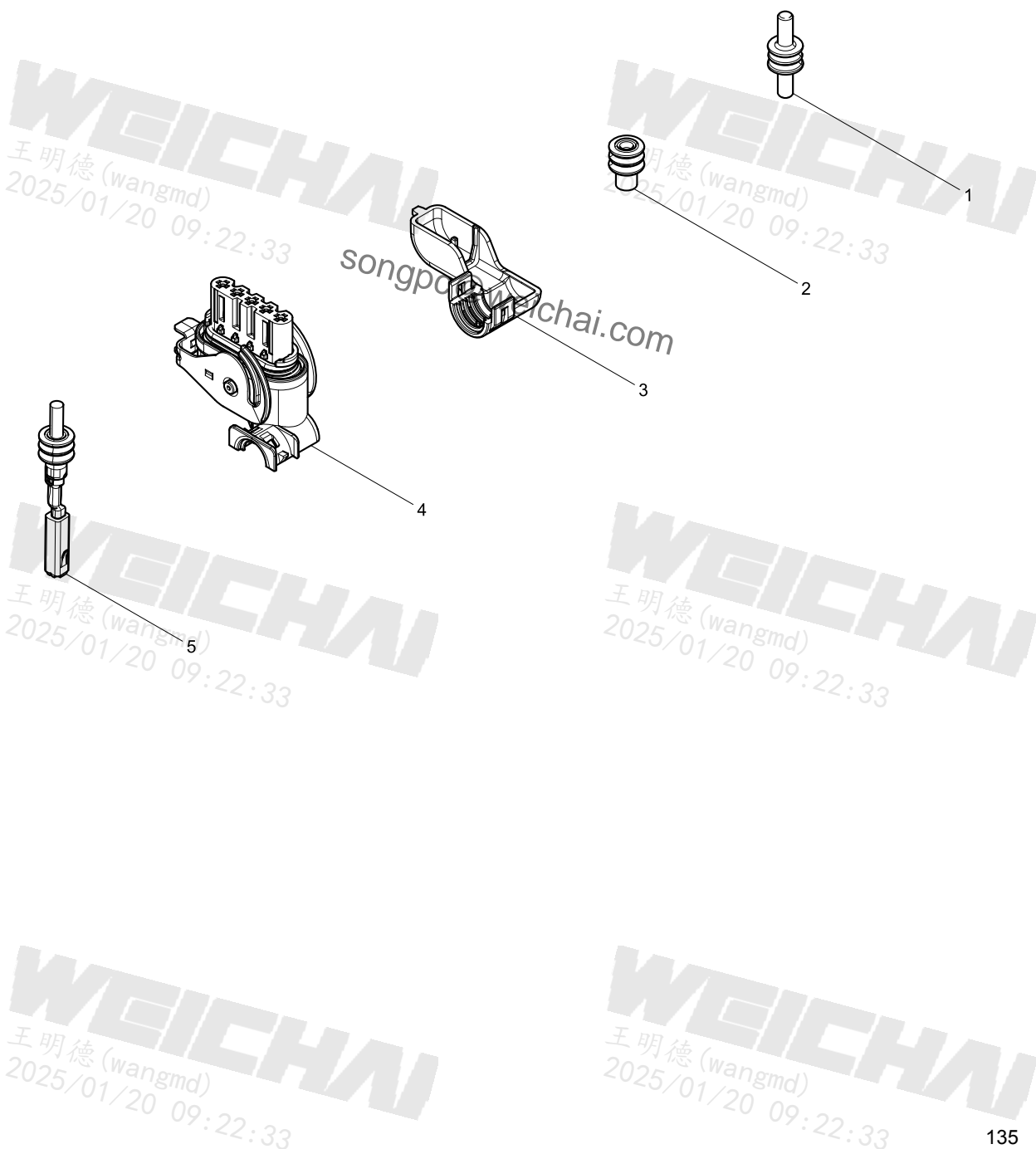
WEICHAI
王明德(wangmd)
2025/01/20 09:22:33

WEICHAI
王明德(wangmd)
2025/01/20 09:22:33

WEICHAI
王明德(wangmd)
2025/01/20 09:22:33

WEICHAI
王明德(wangmd)
2025/01/20 09:22:33

WEICHAI
王明德(wangmd)
2025/01/20 09:22:33



电控系统线束结合组(Electronic Control System Harness Group)

WEICHAI
王明德(wangmd)
2025/01/20 09:22:33

WEICHAI
王明德(wangmd)
2025/01/20 09:22:33

WEICHAI
王明德(wangmd)
2025/01/20 09:22:33

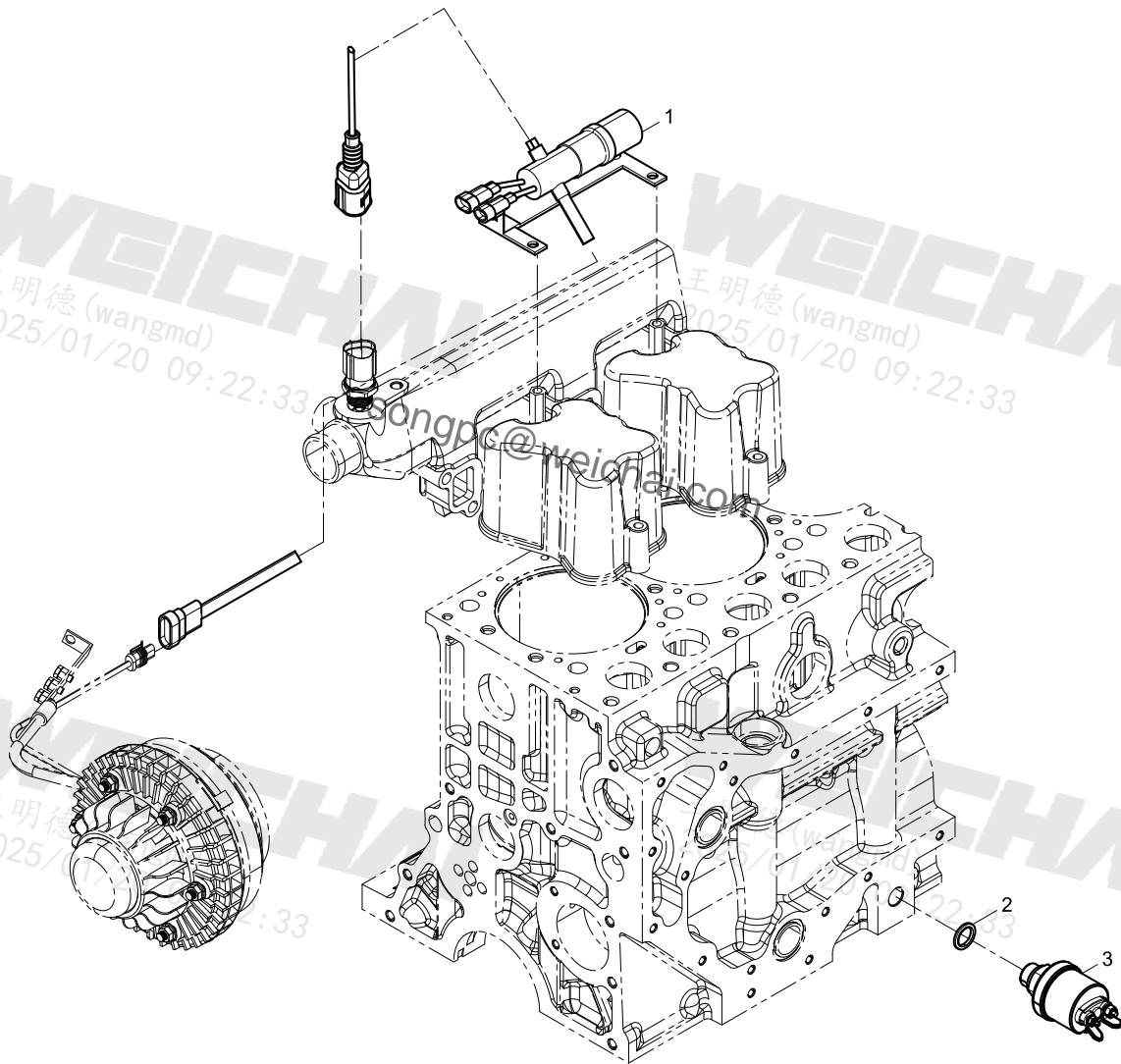
WEICHAI
王明德(wangmd)
2025/01/20 09:22:33

WEICHAI
王明德(wangmd)
2025/01/20 09:22:33

WEICHAI
王明德(wangmd)
2025/01/20 09:22:33

WEICHAI
王明德(wangmd)
2025/01/20 09:22:33

WEICHAI
王明德(wangmd)
2025/01/20 09:22:33



发电机结合组(Alternator Group)

WEICHAI
王明德(wangmd)
2025/01/20 09:22:33

WEICHAI
王明德(wangmd)
2025/01/20 09:22:33

WEICHAI
王明德(wangmd)
2025/01/20 09:22:33

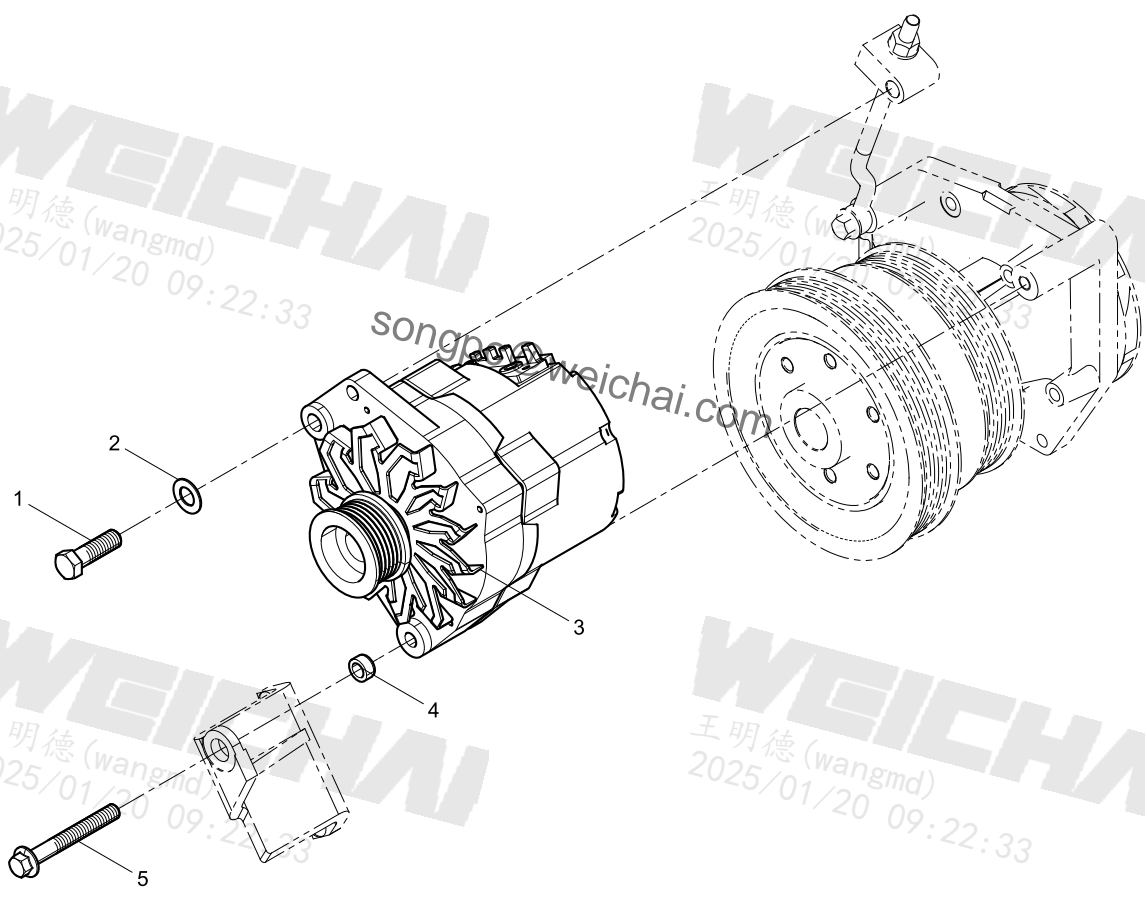
WEICHAI
王明德(wangmd)
2025/01/20 09:22:33

WEICHAI
王明德(wangmd)
2025/01/20 09:22:33

WEICHAI
王明德(wangmd)
2025/01/20 09:22:33

WEICHAI
王明德(wangmd)
2025/01/20 09:22:33

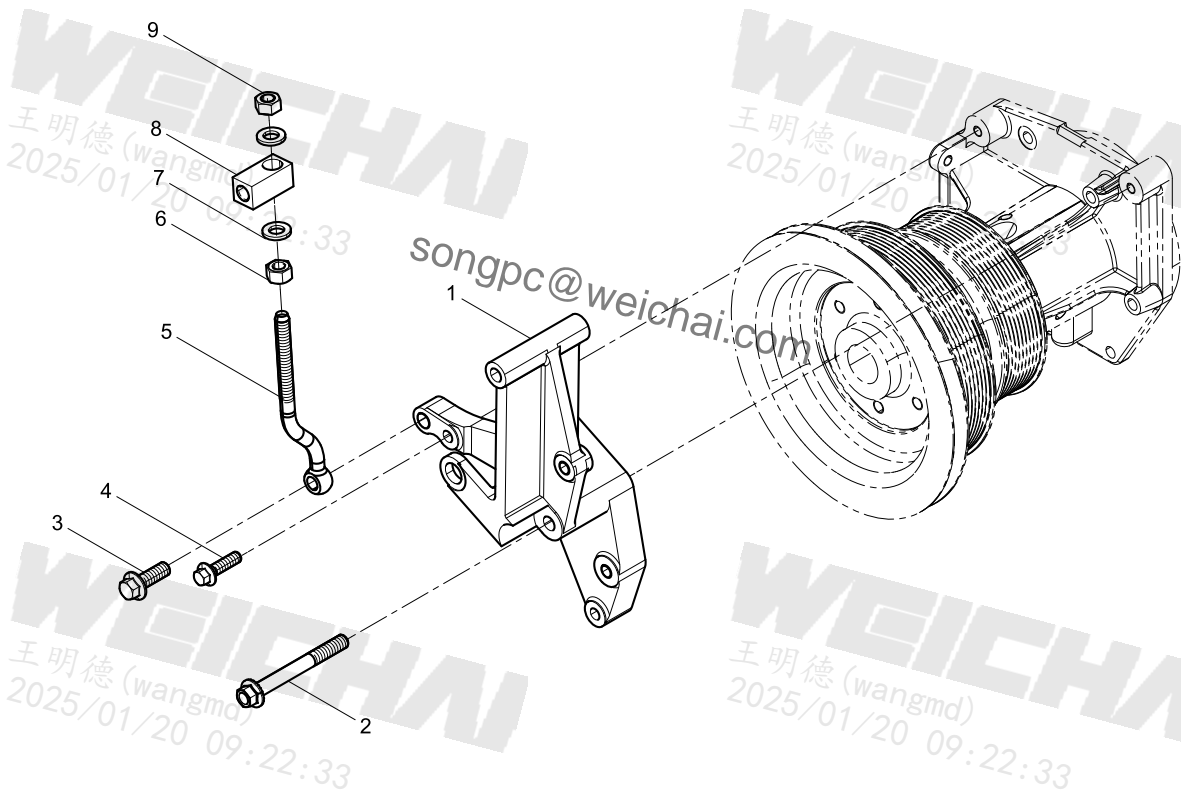
WEICHAI
王明德(wangmd)
2025/01/20 09:22:33



发电机支架结合组(Alternator Bracket Group)

WEICHAI
王明德(wangmd)
2025/01/20 09:22:33

WEICHAI
王明德(wangmd)
2025/01/20 09:22:33



WEICHAI
王明德(wangmd)
2025/01/20 09:22:33

WEICHAI
王明德(wangmd)
2025/01/20 09:22:33

WEICHAI
王明德(wangmd)
2025/01/20 09:22:33

WEICHAI
王明德(wangmd)
2025/01/20 09:22:33

WEICHAI
王明德 (wangmd)
2025/01/20 09:22:33

WEICHAI
王明德 (wangmd)
2025/01/20 09:22:33

WEICHAI
王明德 (wangmd)
2025/01/20 09:22:33

WEICHAI
王明德 (wangmd)
2025/01/20 09:22:33

songpc@weichai.com

WEICHAI
王明德 (wangmd)
2025/01/20 09:22:33

WEICHAI
王明德 (wangmd)
2025/01/20 09:22:33

潍柴动力股份有限公司
WEICHAI POWER CO., LTD.

本材料供用户参考使用，
产品参数如有变更，恕不另行通知，
请以产品实物为准。

This manual is for reference only,
product parameters are subject to alteration
without notice,
whichever is the physical product.

WEICHAI
王明德 (wangmd)
2025/01/20 09:22:33

WEICHAI
王明德 (wangmd)
2025/01/20 09:22:33